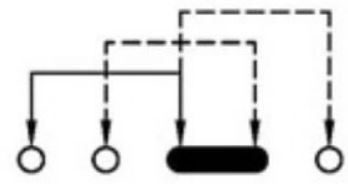
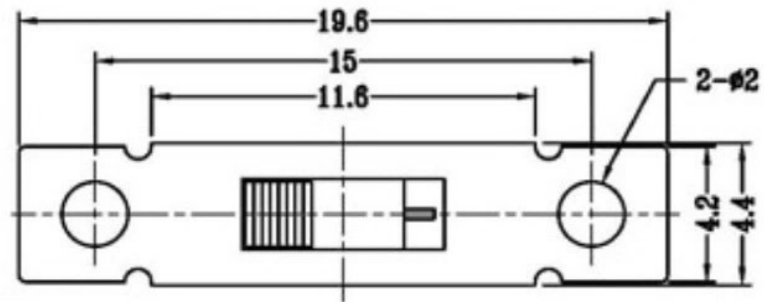
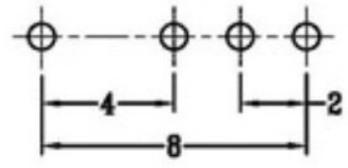




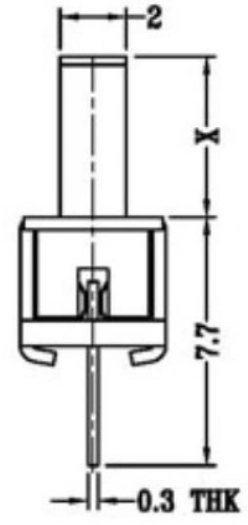
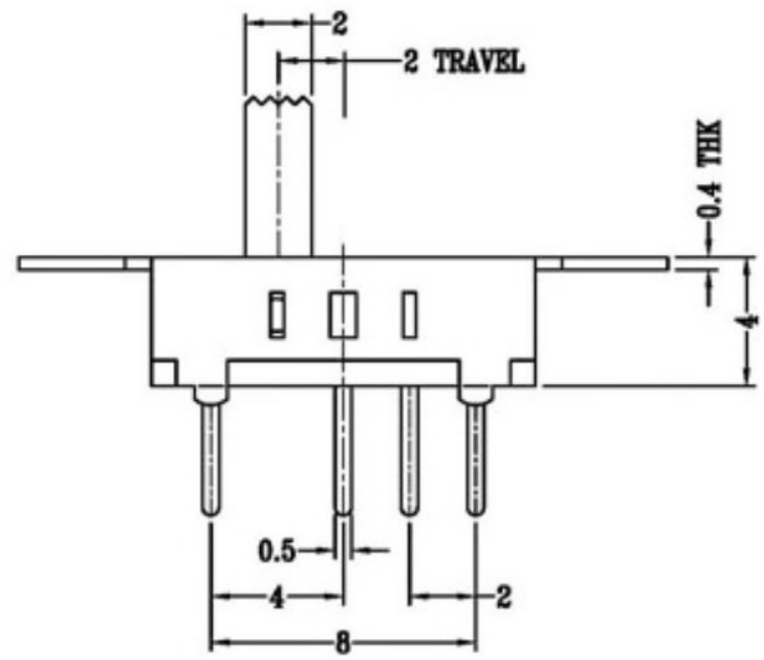
CAD FILE:



SCHEMATIC (SHORTING)



P.C.B LAYOUT  
BOTTOM VIEW



X=2-10  
单位: mm

注: "\*"表示关键尺寸(6个)

| NO. | PARTS        | MATERIALS      | Q'TY | FINISH    | TOLERANCE UNLESS SPECIFIED    |       |            |    | DESCRIPTIONS OF REVISION |            | APPD.      |            |
|-----|--------------|----------------|------|-----------|-------------------------------|-------|------------|----|--------------------------|------------|------------|------------|
| 8   |              |                |      |           | WITHIN                        | A     | 2012-10-26 | 初版 |                          |            |            |            |
| 7   | STEEL BALL   | STEEL          | 1    | NATURAL   | OVER                          | ISSUE | DATE       |    |                          |            |            |            |
| 6   | SPRING       | STEEL WIRE     | 1    | NATURAL   | TITLE : VERTICAL SLIDE SWITCH |       |            |    |                          | UNIT : mm  | DRWG NO.:  |            |
| 5   | CONTACT CLIP | PBS STRIP      | 2    | Ag PLATED | MODEL:                        |       |            |    |                          | SCALE: 3:1 | DWN.       | 2012-10-26 |
| 4   | TERMINAL     | BRASS STRIP    | 8    | Ag PLATED | 东莞市溪榜电子有限公司                   |       |            |    |                          | APPD.      | 2012-10-26 |            |
| 3   | BASE         | PHENOLIC RESIN | 1    | NATURAL   |                               |       |            |    |                          | CHK'D      |            |            |
| 2   | FRAME        | STEEL STRIP    | 1    | Ni PLATED |                               |       |            |    |                          | APPD.      | 2012-10-26 |            |
| 1   | KNOB         | POM            | 1    | BLACK     |                               |       |            |    |                          |            |            |            |