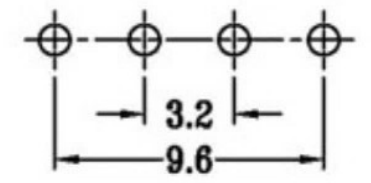
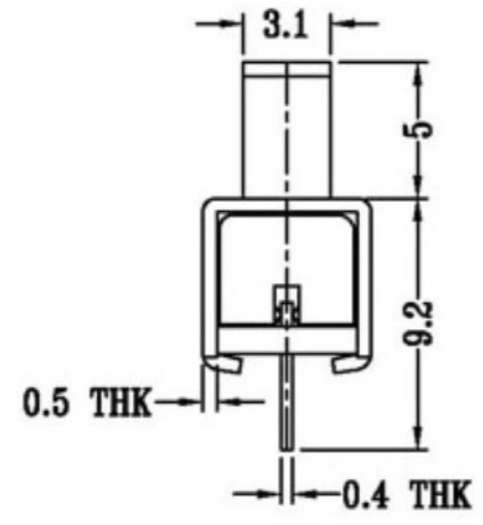
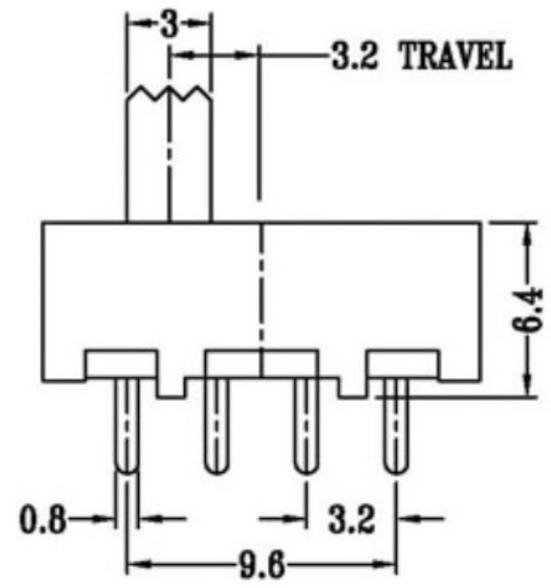


**SCHEMATIC (NON-SHORTING)**



**P.C.B LAYOUT  
BOTTOM VIEW**



X=2-11  
单位: mm

注: "\*"表示关键尺寸(6个)

NO.	PARTS	MATERIALS	Q'TY	FINISH	TOLERANCE UNLESS SPECIFIED		A		2012-10-26		初版		APPD.
					WITHIN	ISSUE	DATE	DESCRIPTIONS OF REVISION					
8													
7	STEEL BALL	STEEL	1	NATURAL									
6	SPRING	STEEL WIRE	1	NATURAL									
5	CONTACT CLIP	PBS STRIP	2	Ag PLATED									
4	TERMINAL	BRASS STRIP	8	Ag PLATED	TITLE : VERTICAL SLIDE SWITCH			UNIT : mm	DRWG NO.:				
3	BASE	PHENOLIC RESIN	1	NATURAL	MODEL:			SCALE: 3:1	DWN.		2012-10-26		
2	FRAME	STEEL STRIP	1	Ni PLATED	东莞市溪榜电子有限公司				CHK'D		2012-10-26		
1	KNOB	POM	1	BLACK					APPD.				