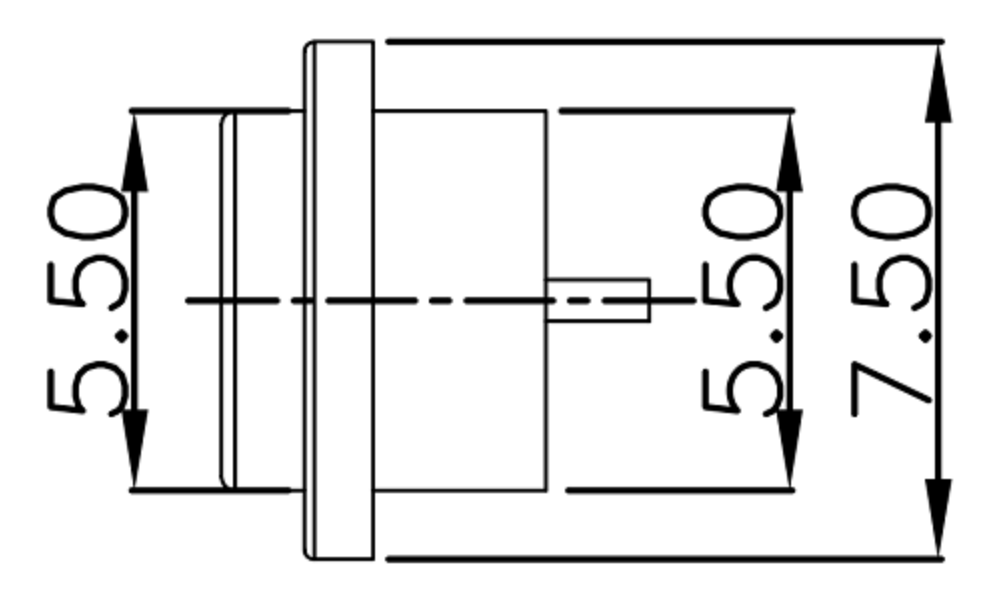
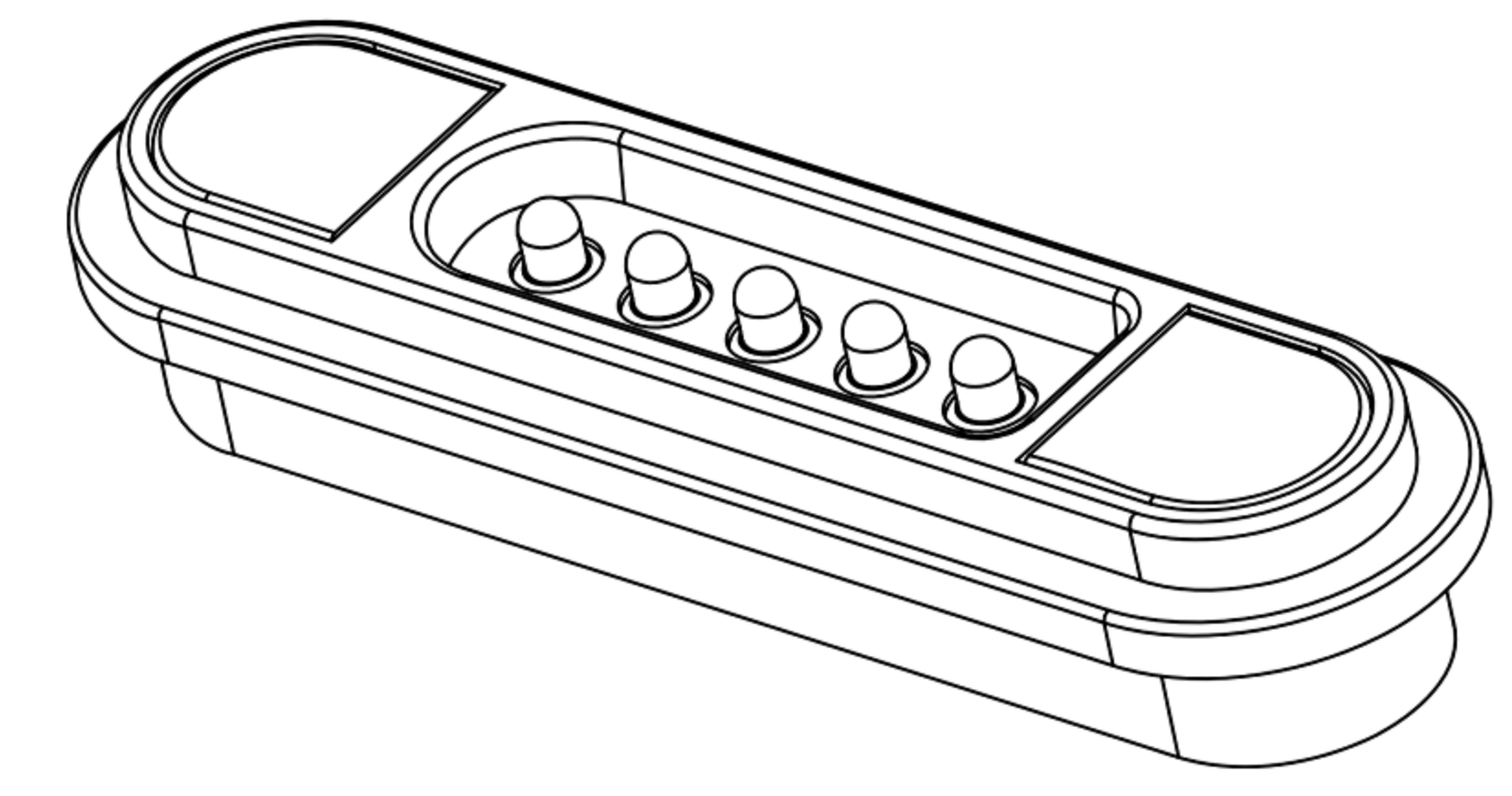
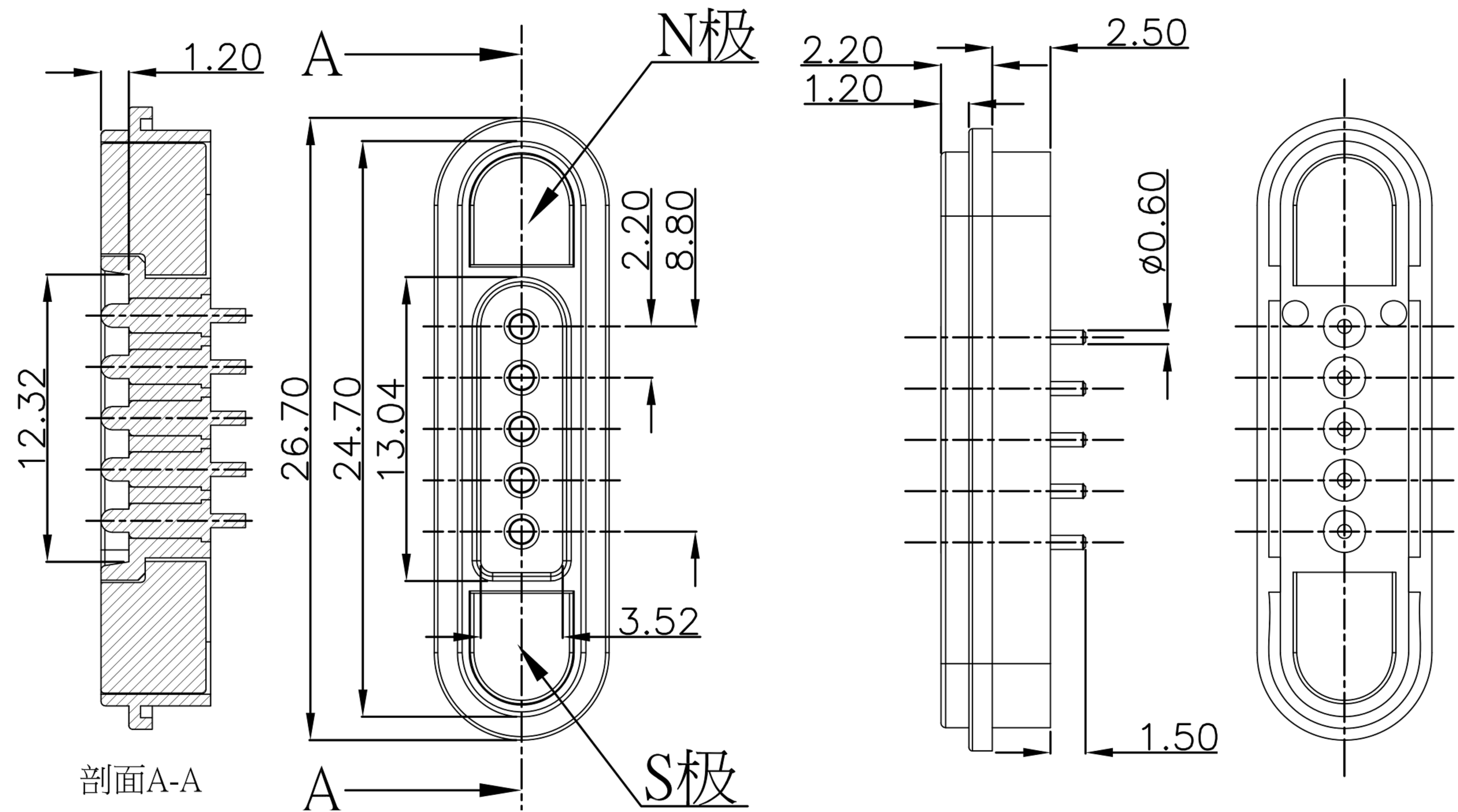
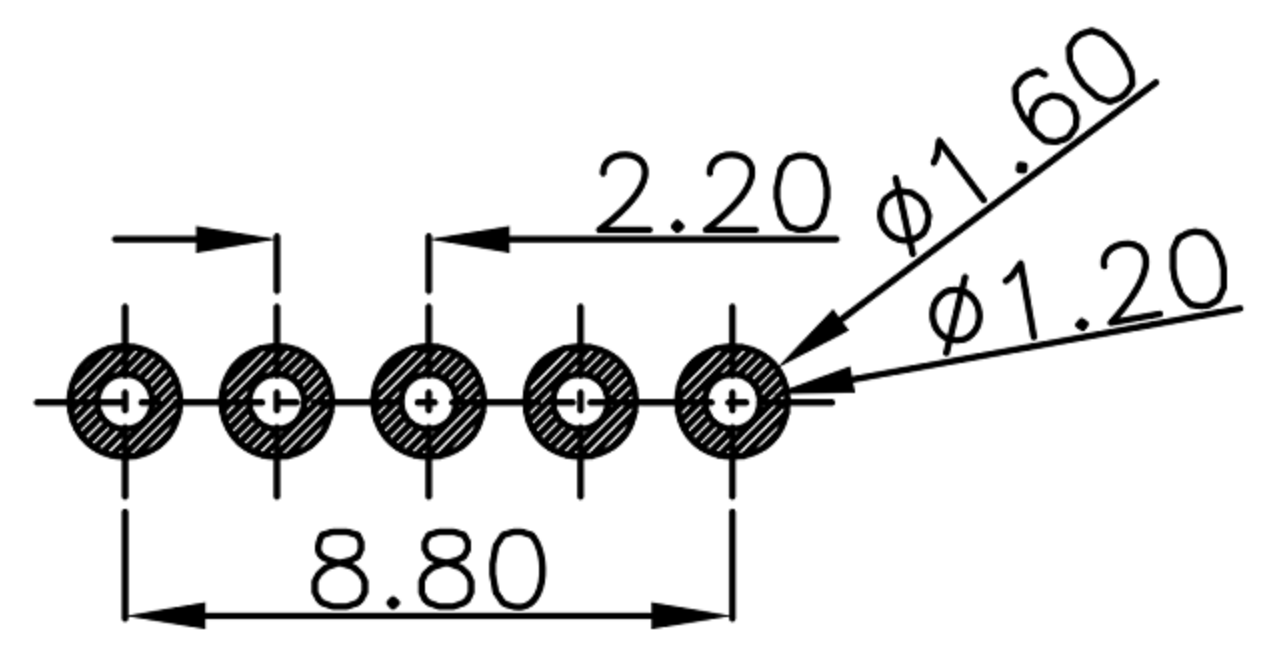


**RoHS**



图为焊盘位置和大小



**Recommended layout**  
**General tolerance: ±0.05mm**

**NOTE**

1. Material  
 Plunger: Brass  
 Barrel: Brass  
 Spring: SUS  
 Housing: PA46
2. Plating  
 Plunger: Au over NI  
 Barrel: Au over NI
3. Electrical  
 Rated current & voltage: DC 12V; 2.0A Max.
4. Mechanical  
 Spring force: 60g±20% at normal working height  
 Durability: 10,000 cycles(minimum)
5. To ensure the best usage, please operate it based on the working height. Based on the engineering drawings, shall not exceed the maximum allowed compression.
6. To avoid arcing issue, The adaptor start to power supply after connector mated fully.

**XGB** 东莞市溪榜电子有限公司  
 DONG GUAN XI BANG ELECTRONICS CO., LTD.

TOLERANCE UNLESS OTHERWISE STATED:  
 Up to 5 ±0.2  
 Above 5 ~ 15 ±0.3  
 Above 15 ~ 30 ±0.4  
 Above 30 ~ 50 ±0.5  
 Angle ±0.3°

3RD. ANGEL'S

UNITS MM

DRAWN BY: Jack Lu  
 CHECKED BY: Jacky Chen  
 APPROVED BY: Tony Kao

DATE: 04/01/21  
 DATE: 04/01/21  
 DATE: 04/01/21

MAT'L		TITLE	CONNECTOR
FINISH		MODLE	POGO PIN
SCALE	1:1	DWG NO.	XB-PGC-CT-M-500G
SHEET NO.	1 of 1	PART NO.	Magnetic PoGo Pin

ITEM NO.	DESCRIPTION	DRAWN	DATE

SIZE A4  
 VER R