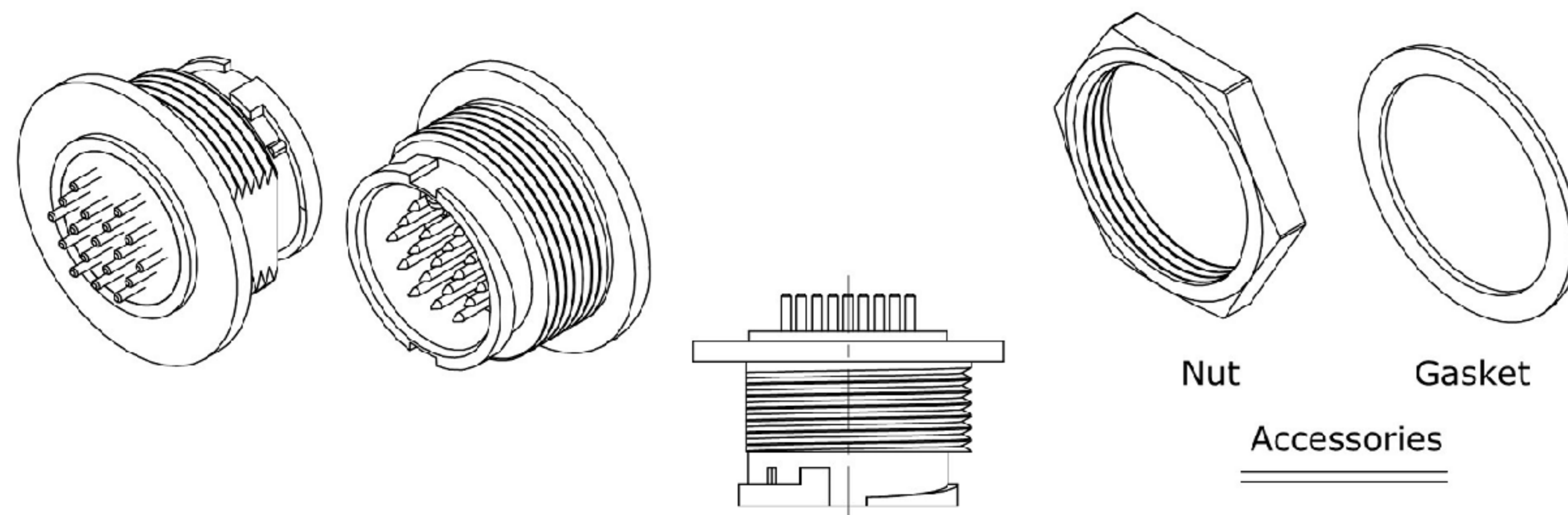


CAD FILE:

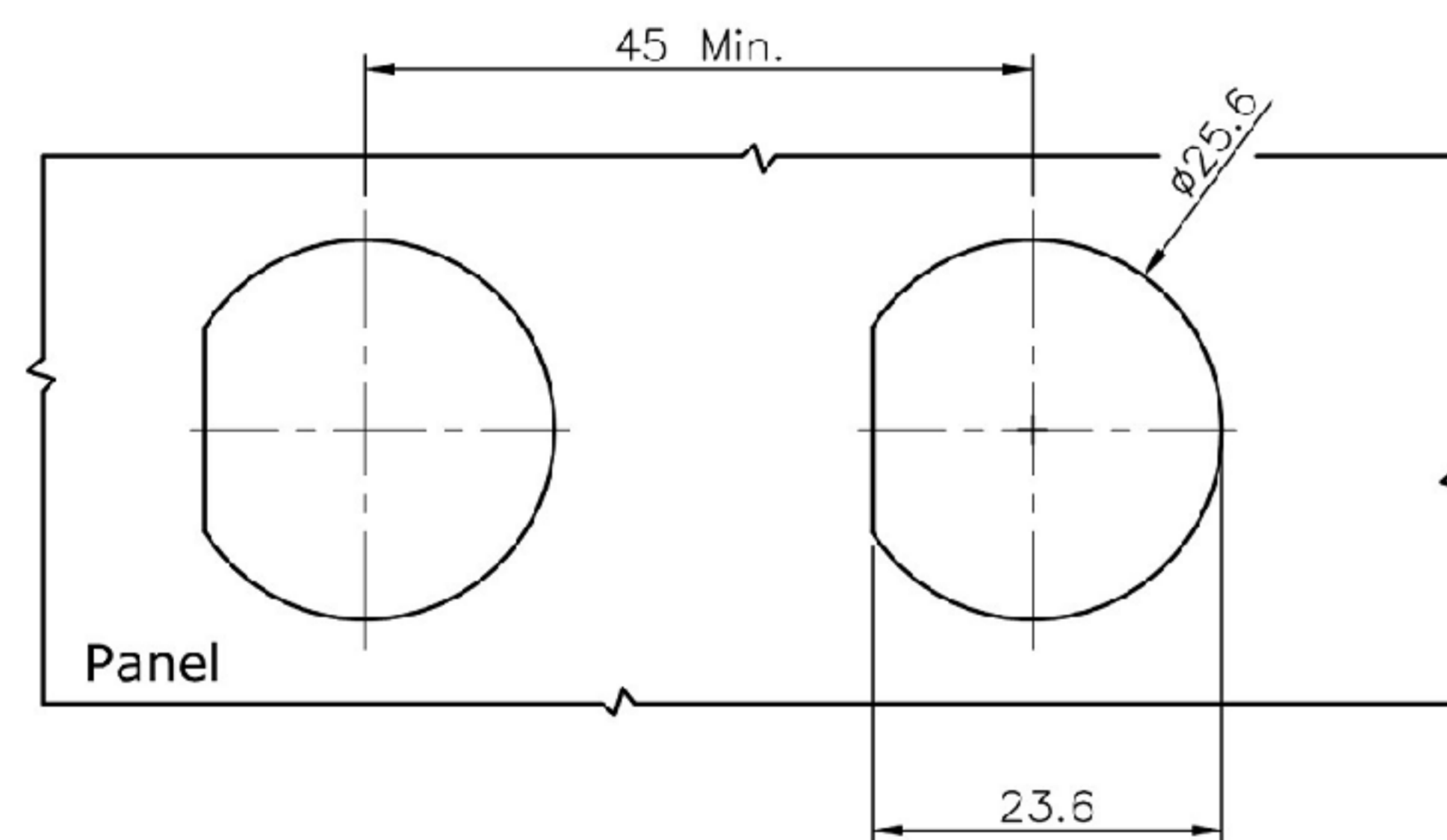
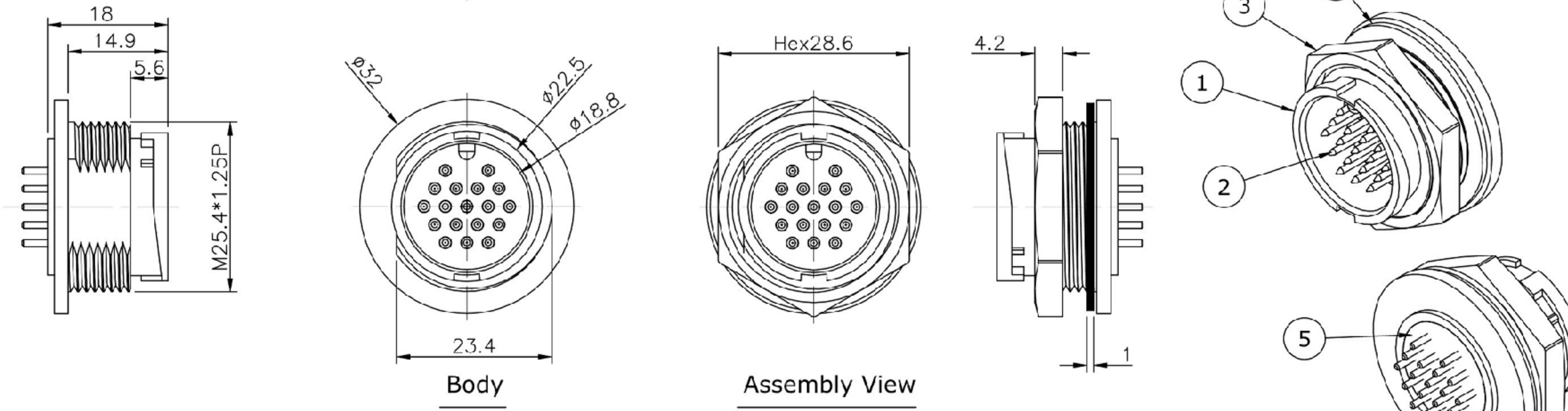
REV.	DESCRIPTION	DRAWN	DATE
1	INITIAL RELEASE	TIM	2020/06/10

ROHS

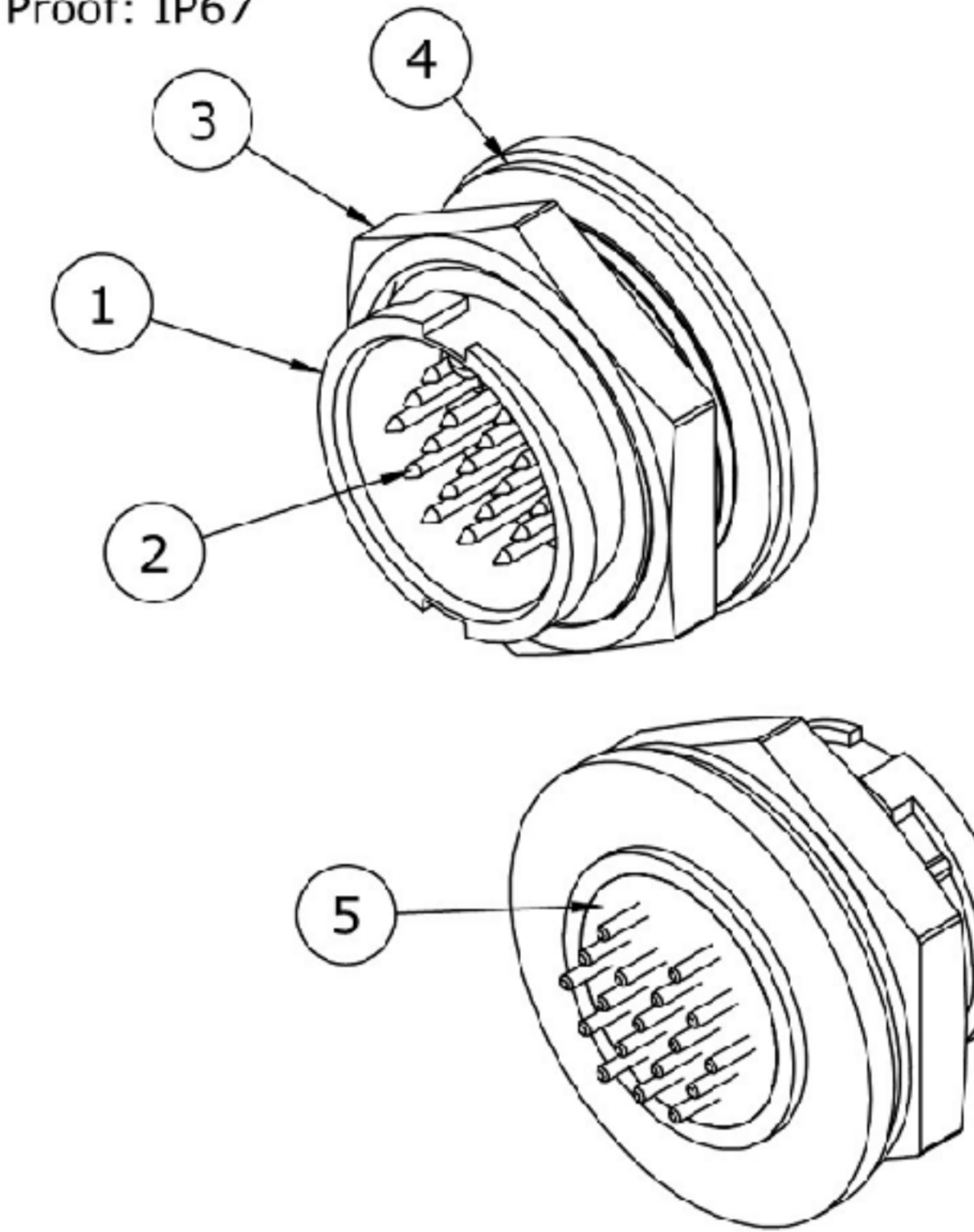


SPECIFICATION:

1. Current Rating: 5A per pin (see P2. table)
2. Contact Resistance: 10mΩ
3. Insulation Resistance: 100MΩ
4. Dielectric Withstanding Voltage: 500VAC
5. Durability: 1000 Cycle
6. Operating temperature range: -40°C~+85°C
7. Storage temperature range: -40°C~+85°C
8. Water Proof: IP67

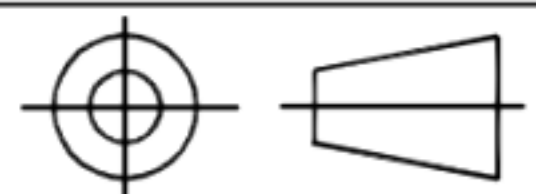


Recommend Panel Cut



5	GLUE	EPOXY
4	GASKET	Silicone, Gray
3	HEX NUT	PA66, UL94V-0, Black
2	CONTACT	Brass, 1u" Min. Gold Plating over Nickel
1	HOUSING	PA66, UL94V-0, Black
NO.	PART NAME	DESCRIPTION

NO.	PARTS	MATERIALS	Q'TY	FINISH	TOLERANCE UNLESS SPECIFIED	DATE	DESCRIPTIONS OF REVISION	APPD.
8								
7								
6					WITHIN 1.5mm : ±0.1mm	A	2012-9-25	初版
5					OVER 1.5mm : ±0.2mm	ISSUE	DATE	APPD.
4	CONTACT	SUS	1	Ag CLAD	TITLE : 圆形连接器		UNIT : mm	DRWG NO.: XB-227D-DMMO
3	CASE	PPA/BRASS SRTIP	1	BLACK/Ag PLATED	MODEL: Circular Connector		SCALE: 5:1	DWN. JUN. YANG 2012-9-25
2	COVER	STEEL STRIP	1	Ni PLATED	东莞市溪榜电子有限公司 DONG GUAN XI BANG ELECTRONI CS CO., LTD.		CHK'D	DONG. PANG 2012-9-25
1	KNOB	PPA	1	BLACK			APPD.	ZENQ. CHEN 2012-9-25

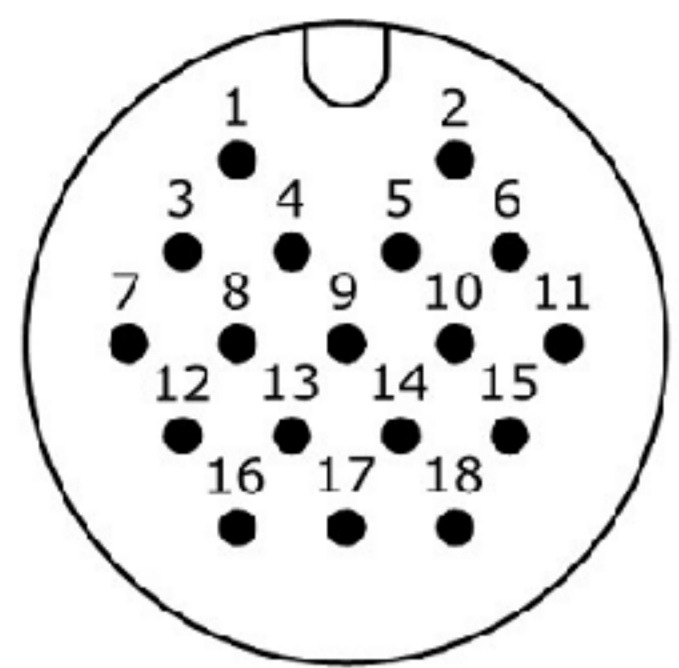


CAD FILE:

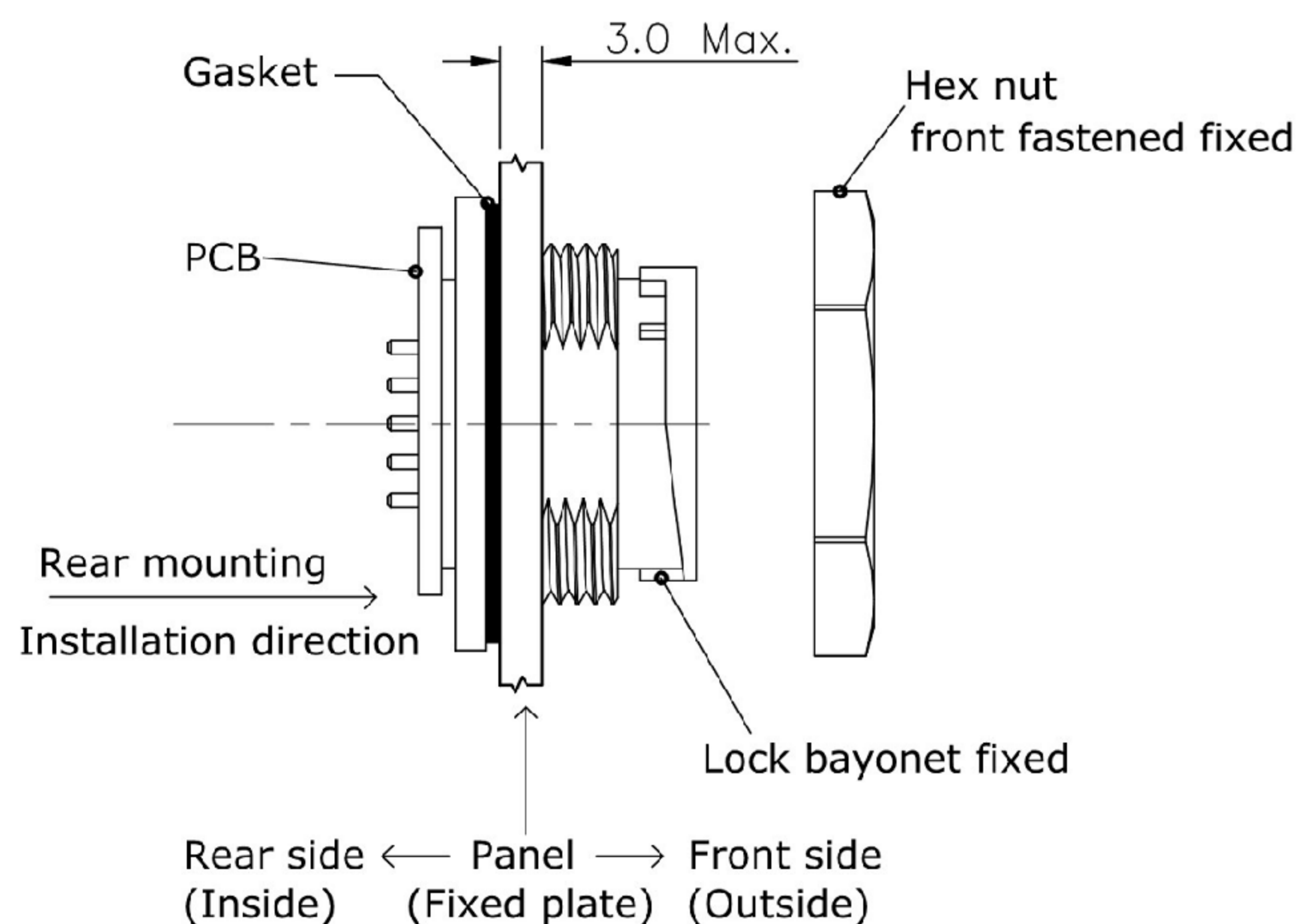
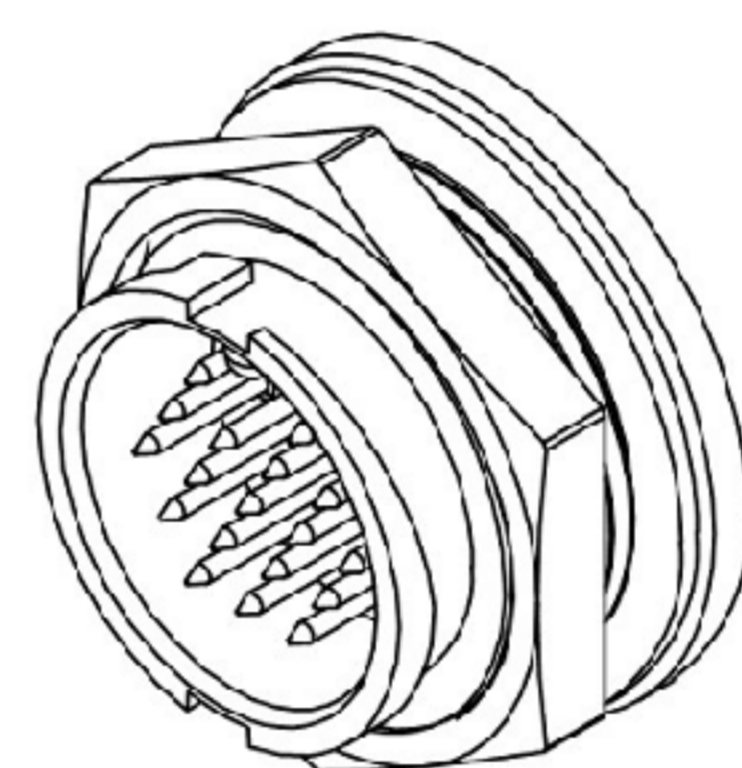
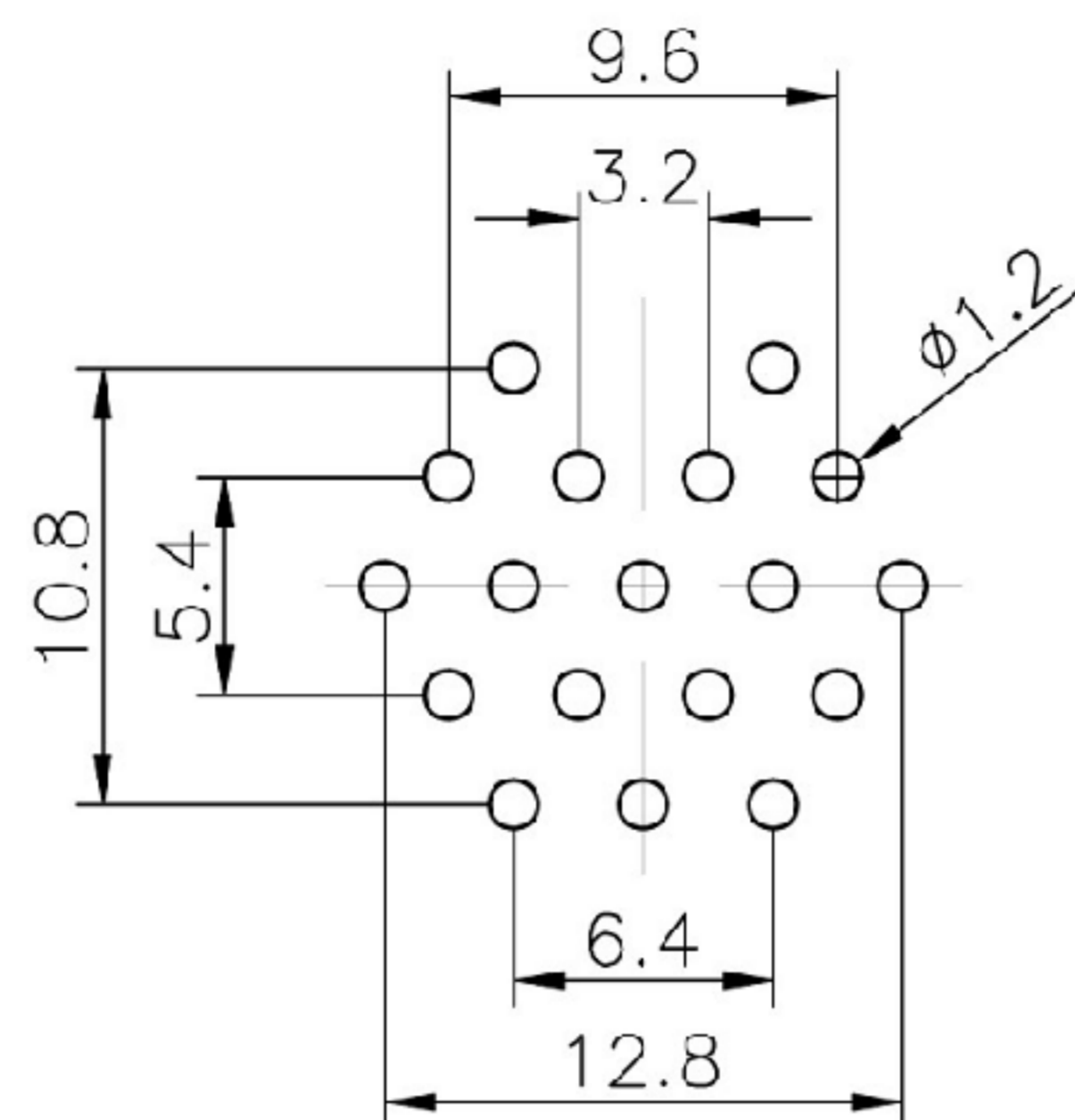
REV.	DESCRIPTION	DRAWN	DATE
	SEE SHEET ONE		

ROHS


TABLE: Pin Count/ Pin Assignment/
Current Rating/ Part Number

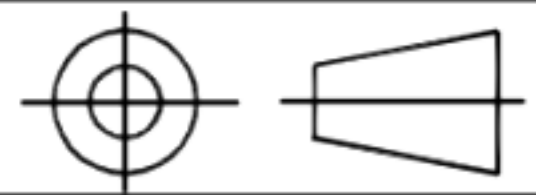
Part Number	227D-18M04
Pin Assignment	
Pin Count	18Pin
Current Rating	5A

Recommended layout (top view)
General tolerance: ±0.05mm



Drawing Number: 227D-DMM0
Description: D size connector, panel fixed front fastened bayonet lock, male Socket male pin, DIP type

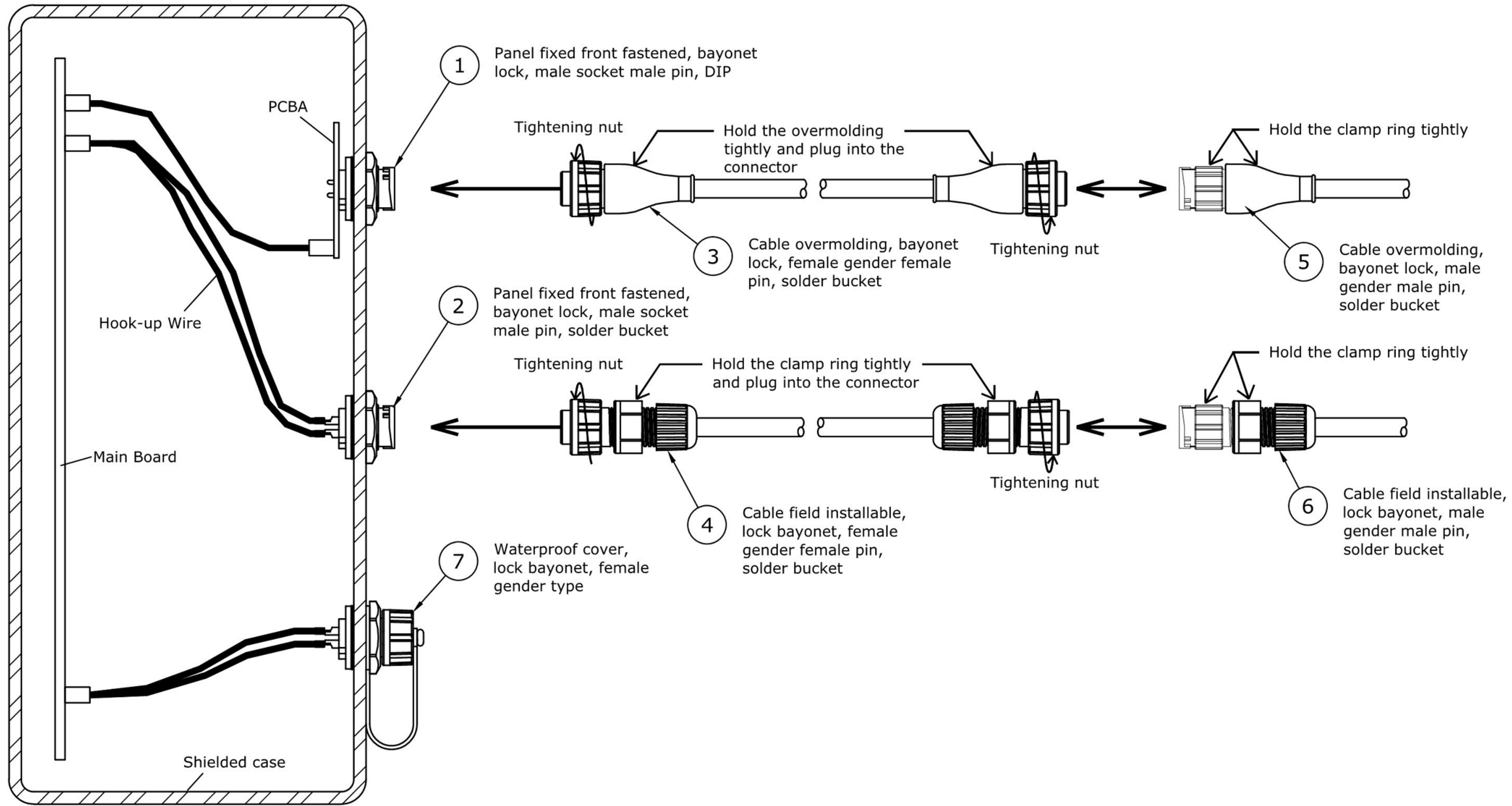
8					TOLERANCE						
7					UNLESS SPECIFIED						
6					WITHIN 1.5mm : ±0.1mm	A	2012-9-25	初版		ZENQ. CHEN	
5					OVER 1.5mm : ±0.2mm	ISSUE	DATE	DESCRIPTIONS OF REVISION		APPD.	
4	CONTACT	SUS	1	Ag CLAD	TITLE : 圆形连接器			UNIT : mm	DRWG NO.: XB-227D-DMM0		
3	CASE	PPA/BRASS SRTIP	1	BLACK/Ag PLATED	MODEL: Circular Connector			SCALE: 5:1	DWN.	JUN. YANG	2012-9-25
2	COVER	STEEL STRIP	1	Ni PLATED	 东莞市溪榜电子有限公司 DONG GUAN XI BANG ELECTRONICS CO., LTD.			CHK'D	DONG. PANG	2012-9-25	
1	KNOB	PPA	1	BLACK				APPD.	ZENQ. CHEN	2012-9-25	
NO.	PARTS	MATERIALS	Q'TY	FINISH							



CAD FILE:

REV.	DESCRIPTION	DRAWN	DATE
1	INITIAL RELEASE	TIM	2020/06/10

ROHS



NO.	PARTS	MATERIALS	Q'TY	FINISH	TOLERANCE UNLESS SPECIFIED					
8					TOLERANCE UNLESS SPECIFIED					
7					TOLERANCE UNLESS SPECIFIED					
6					WITHIN 1.5mm : ±0.1mm	A	2012-9-25	初版	ZENQ. CHEN	
5					OVER 1.5mm : ±0.2mm	ISSUE	DATE	DESCRIPTIONS OF REVISION	APPD.	
4	CONTACT	SUS	1	Ag CLAD	TITLE : 圆形连接器			UNIT : mm	DRWG NO.: XB-227D-DMM0	
3	CASE	PPA/BRASS SRTIP	1	BLACK/Ag PLATED	MODEL: Circular Connector			SCALE: 5:1	DWN.	JUN. YANG 2012-9-25
2	COVER	STEEL STRIP	1	Ni PLATED	东莞市溪榜电子有限公司 DONG GUAN XI BANG ELECTRONICS CO., LTD.			CHK'D	DONG. PANG	2012-9-25
1	KNOB	PPA	1	BLACK				APPD.	ZENQ. CHEN	2012-9-25