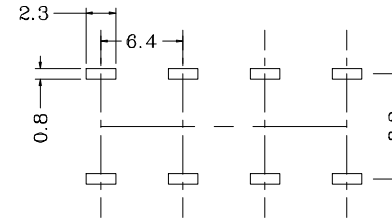
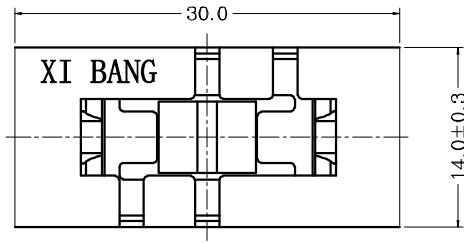
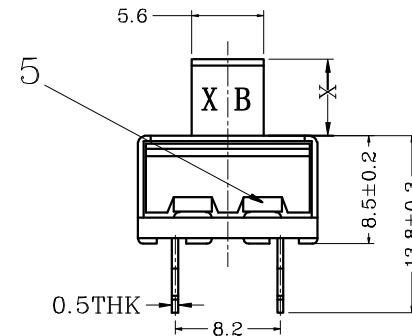
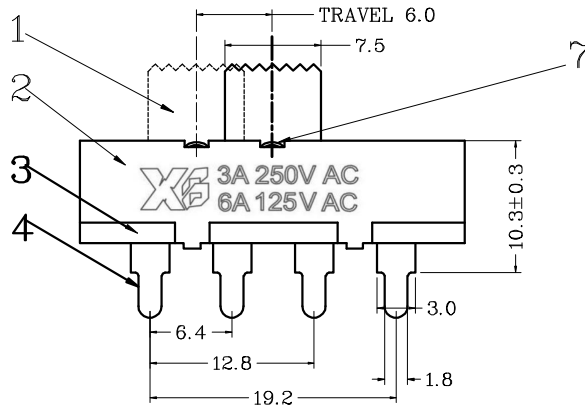
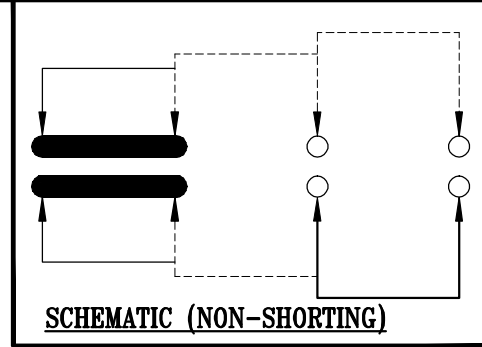


CAD FILE:



P. C. B LAYOUT  
BOTTOM VIEW



SPECIFICATION (INITIAL)	
RATING:	3A 6A 10A 125V 250V
CONTACT RESISTANCE:	Not more than 30mΩ
INSULATION RESISTANCE:	500MΩ at 1500V DC
WITHSTAND VOLTAGE:	AC 500V for 1 min
OPERATION FORCE:	300±100g
SWITCHING LIFE:	10000 Cycles(6-10c/m loading)

NO.	PARTS	MATERIALS	Q'TY	FINISH	TOLERANCE UNLESS SPECIFIED	ISSUE	DATE	DESCRIPTIONS OF REVISION	APPD.
8									
7	LOCATING PLATE	C5120	1	NATURAL					
6	SPRING PLATE	PBS STRIP	2	NATURAL					
5	CONTACT	COPPER STRIP	2	Ag PLATED	WITHIN 1.5mm : ±0.1mm OVER 1.5mm : ±0.2mm	A			
4	TERMINAL	COPPER STRIP	8	Ag PLATED					
3	BASE	PHENOLIC RESIN	1	YELLOW					
2	FRAME	STEEL STRIP	1	Ni PLATED					
1	KNOB	PA66+30%纤维	1	BLACK					
					TITLE : VERTICAL SLIDE SWITCH		UNIT : mm	DRWG NO.: XB-SS-23L11	
					MODEL: XB-SS-23L11		SCALE: 2:5	DWN.	Gao. Peng
					Dong guan Xi Bang Electronics Co., Ltd		CHK'D		He. Long. Fei
							APPD.		Pang. Dong

初版