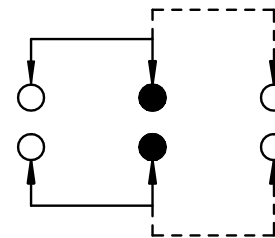
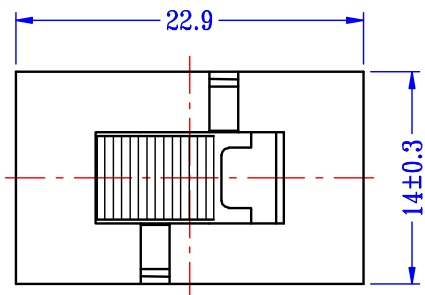
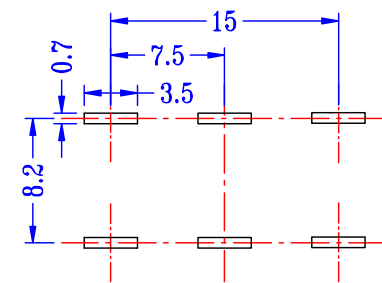
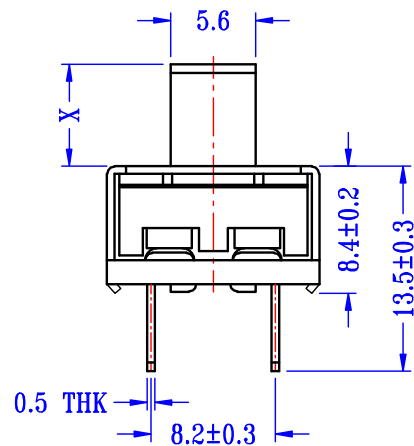
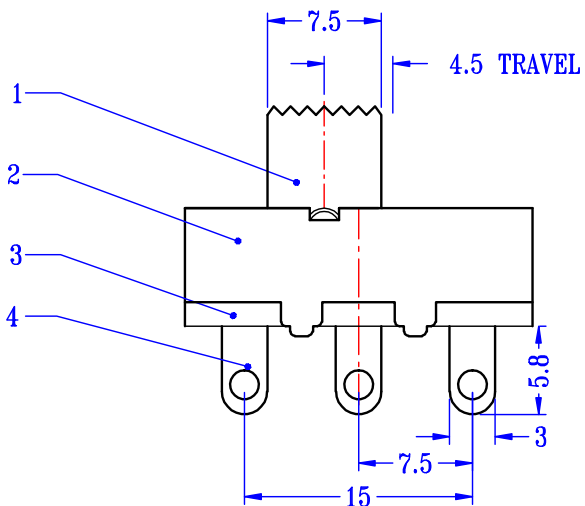




CAD FILE:



SCHEMATIC (NON-SHORTING)



8									
7	POSITION PLATE	PBS STRIP	1	NATURAL	TOLERANCE UNLESS SPECIFIED				
6	SPRING PLATE	PBS STRIP	2	NATURAL		WITHIN 1.5mm : ±0.1mm			
5	CONTACT	COPPER STRIP	2	Ag PLATED	OVER 1.5mm : ±0.2mm	ISSUE	DATE	DESCRIPTIONS OF REVISION	APPD.
4	TERMINAL	BRASS STRIP	6	Ag PLATED OVER Ni PLATED	TITLE : VERTICAL SLIDE SWITCH		UNIT : mm	DRWG NO.: XB-SS-22105	
3	BASE	PHENOLIC RESIN	1	BLACK	MODEL: SS-22105 无耳-5.8孔脚		SCALE: 2:1	DWN.	
2	FRAME	STEEL STRIP	1	Ni PLATED	Dongguan Xibang Electronics Co., Ltd.,			CHK'D	
1	KNOB	PA66+30%	1	BLACK				APPD.	
NO.	PARTS	MATERIALS	Q'TY	FINISH					