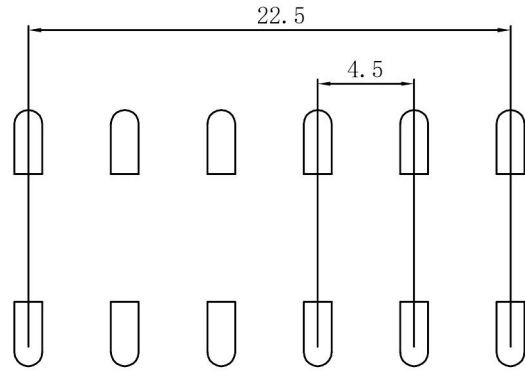
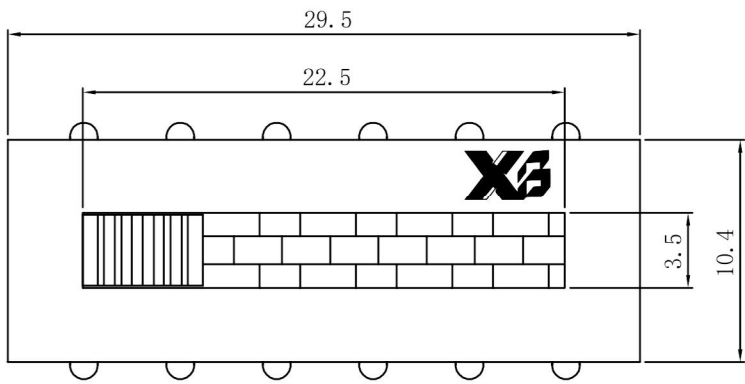
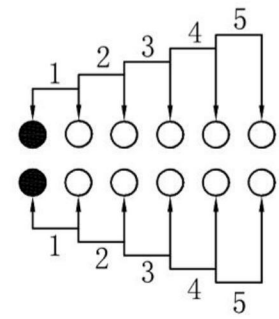


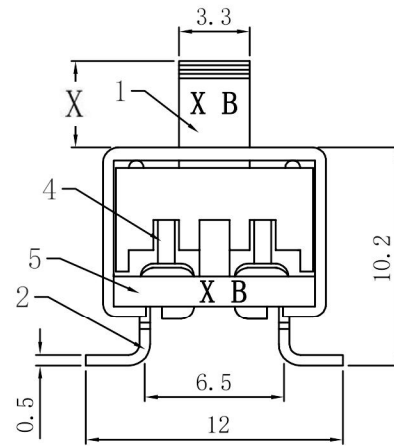
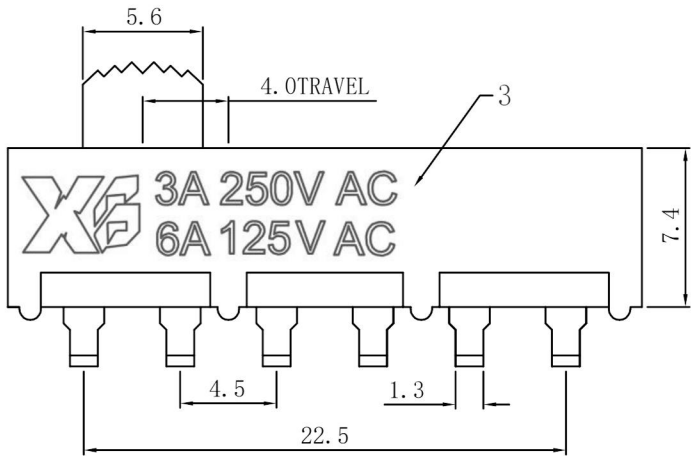
# ROHS



P.C.B LAYOUT



SCHEMATIC



### SLIDE SWITCH 2P5T

SPECIFICATION (INITIAL)	
<b>RATING:</b>	3A 250V AC 6A 125V AC
<b>CONTACT RESISTANCE:</b>	Not more than 30mΩ
<b>INSULATION RESISTANCE:</b>	500MΩ at 500V DC
<b>WITHSTAND VOLTAGE:</b>	AC 500V for 1 min
<b>OPERATION FORCE:</b>	300±100g
<b>SWITCHING LIFE:</b>	10000 Cycles(6-10c/m loading)

7	钢珠	碳钢	1	原色
6	弹簧	碳钢线	5	原色
5	胶板	PA66	1	黑色
4	码片	黄铜带	2	镀银
3	铁壳	冷轧钢带	1	镀镍
2	端子脚	黄铜带	12	镀银
1	胶柄	PA66	1	黑色
NO.	物料组成	材质	数量	表面处理

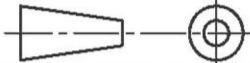
The material contained in this drawing is the property of XiBang. Any use other than that specifically authorized by XiBang is prohibited. The above drawing IS subjected to change for improvement without prior notice.



东莞市溪榜电子有限公司  
DONG GUAN XI BANG ELECTRONICS CO., LTD

TITLE : XB SLIDE SWITCH

MODEL : XB-SS-25H22M



TOLERANCE  
≤1.5mm±0.1  
> 1.5mm±0.2  
>=10mm±0.3

ANGLE  
±2°

UNIT : MM	DWN.	ZENQ. CHEN	DATE	
SCALE : 3 : 1	CHK'D	PENG. GAO	DATE	
VBRSION	01	APPD.	FEI. LONG. HE	DATE

7	SPRING	STEEL WIRE	1	NATURE
6	STEEL BALL	STEEL	1	NATURE
5	BOARD	PHENOLIC RESIN	1	NATURE
4	CONTACT CLIP	PBS STRIP	2	Ag PLATED
3	FRAME	IRON STRIP	1	Ni PLATED
2	TERMINAL	BRASS STRIP	8	Ag PLATED
1	KNOB	POM	1	BLACK
NO.	PART NAME	MATERIAL	QTY.	FINISHING