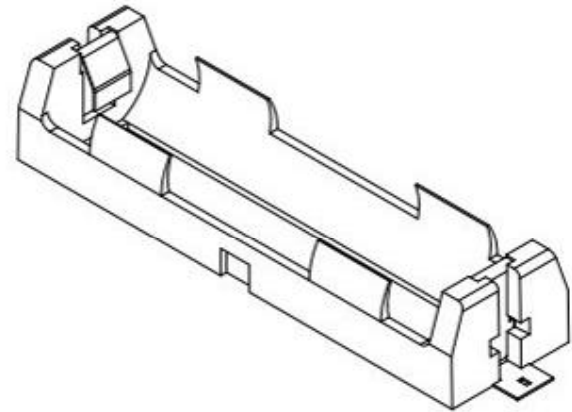
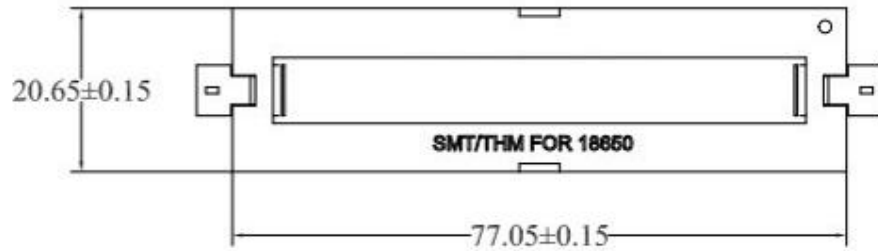
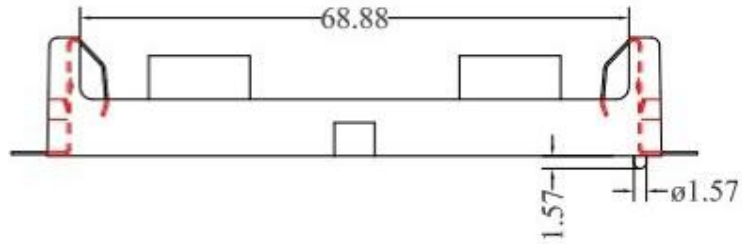
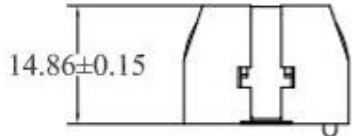


PCB LAYOUT



NOTE:

- * Type: Surface Mounted Device
- * Base Material: Nylon Resin, Black Color
- * Flammability Rating: UL94V-0
- * Contacts: 0.35 Phosphor Bronze Flash Gold
- * Dielectric Strength: 560 Volts/Mil. at 25°C for 5 Sec.
- * RoHS COMPLIANT

XB 东莞市溪榜电子有限公司
 Switch Connector DONG GUAN XI BANG ELECTRONICS CO., LTD.

PART NAME XB-BC-18650-1P

PROJECTIVE 	TOLERANCES [MM]	DRN BY	DATE
	DECIMAL [±.10]	HYQ	2018 05 31
	ANGULAR ±0.5°	APPD	SCALE
	UNLESS OTHERWISE SPECIFIED	XGY	1X
		DWG NO.	CODE
		KS18650X1-SMT无卡钉	18650