



XB-FPC -0301 S R 10 -XX X XX 01

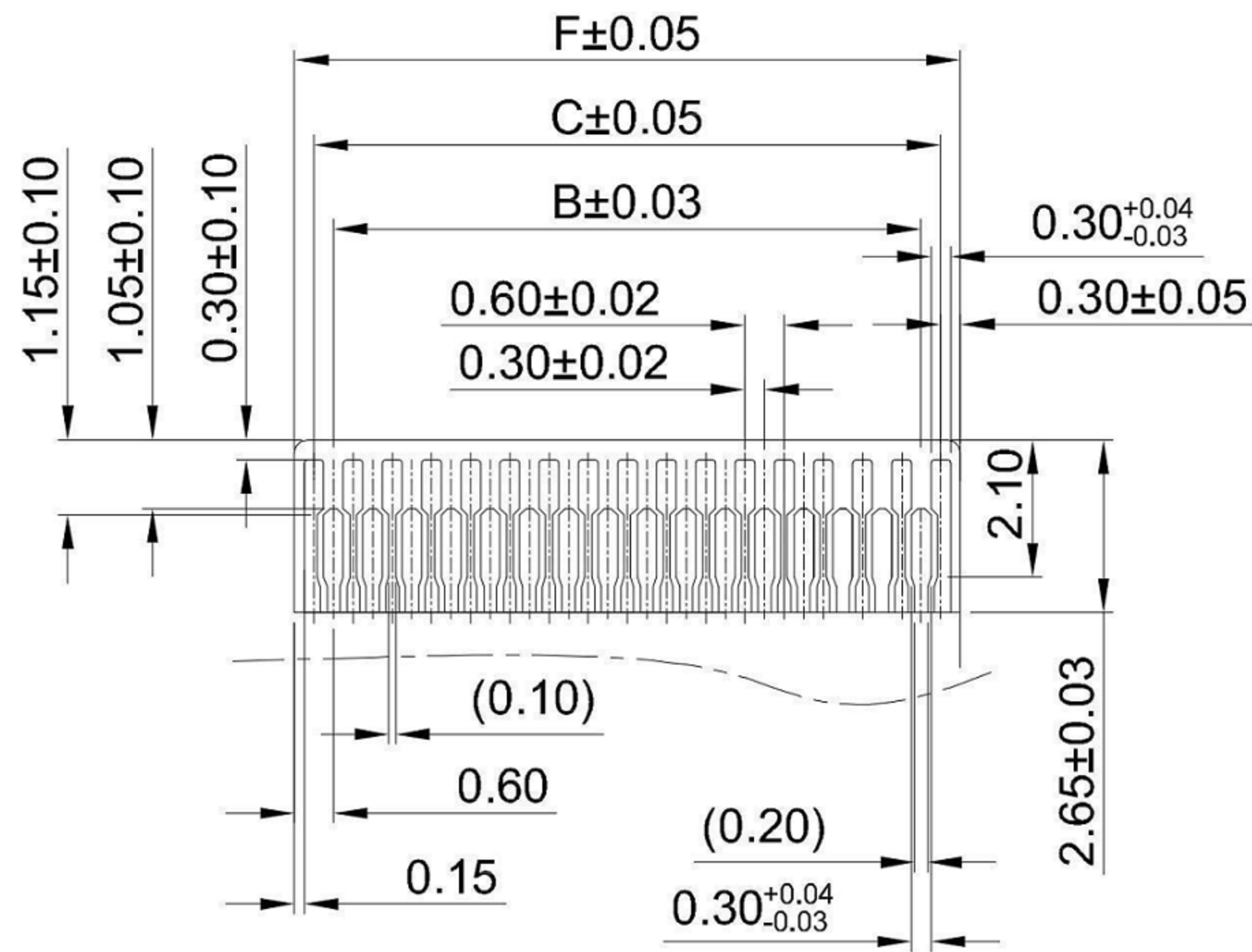
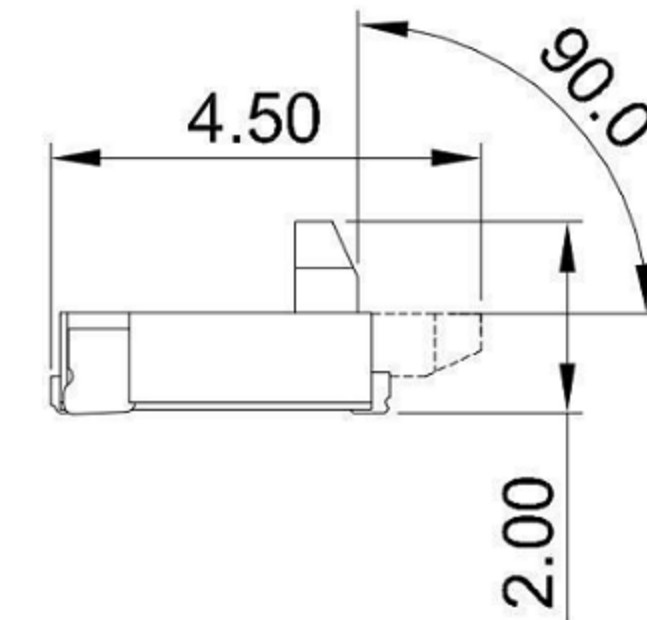
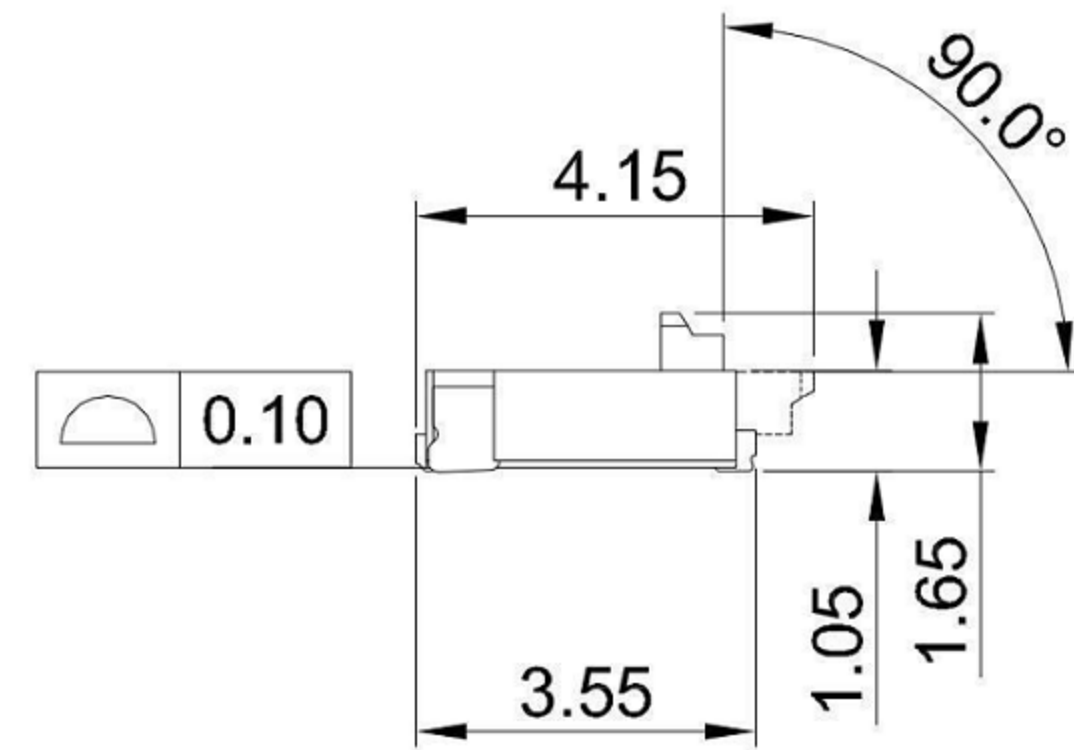
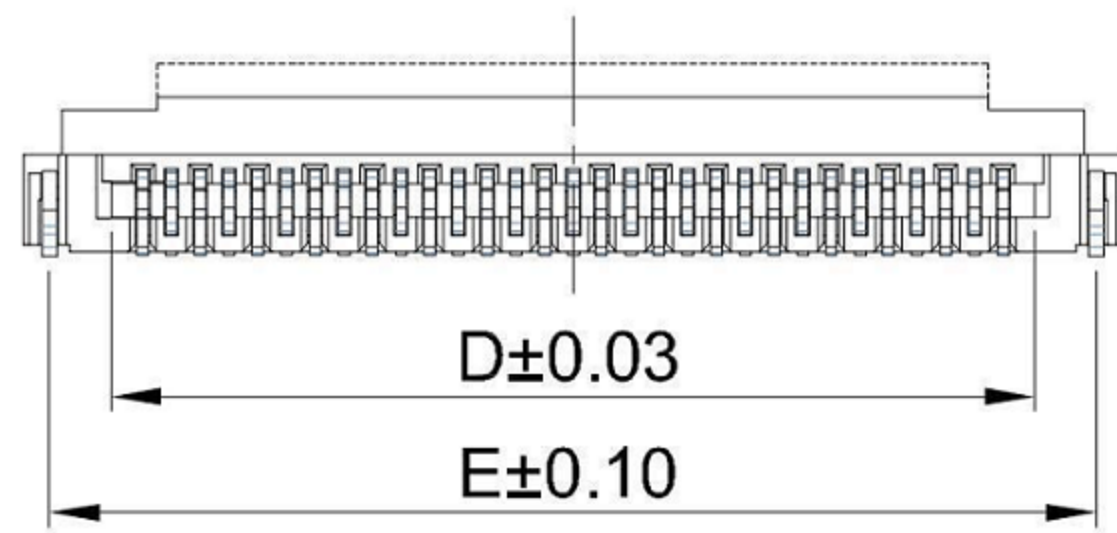
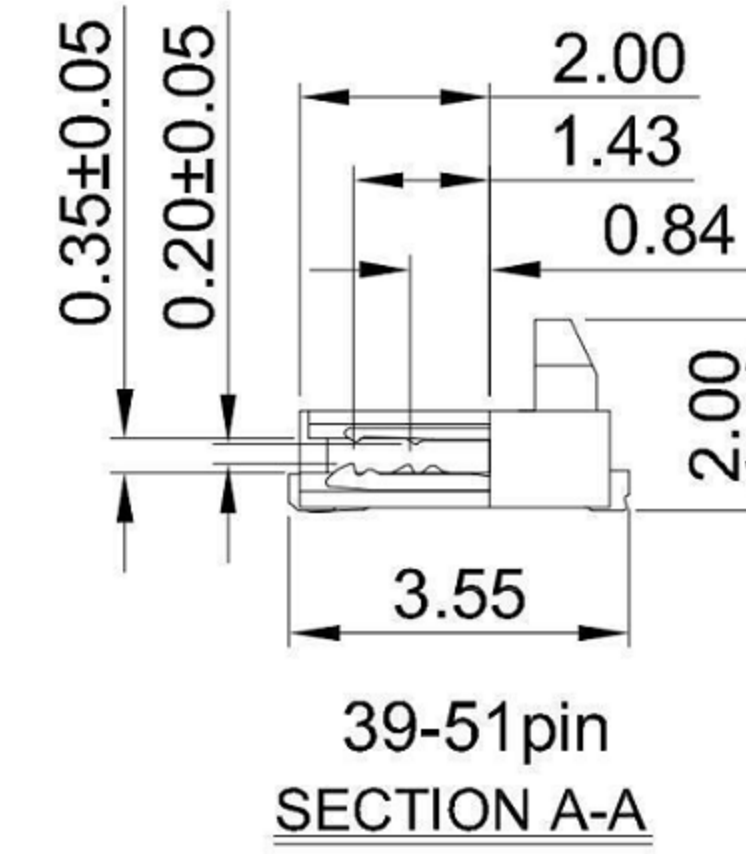
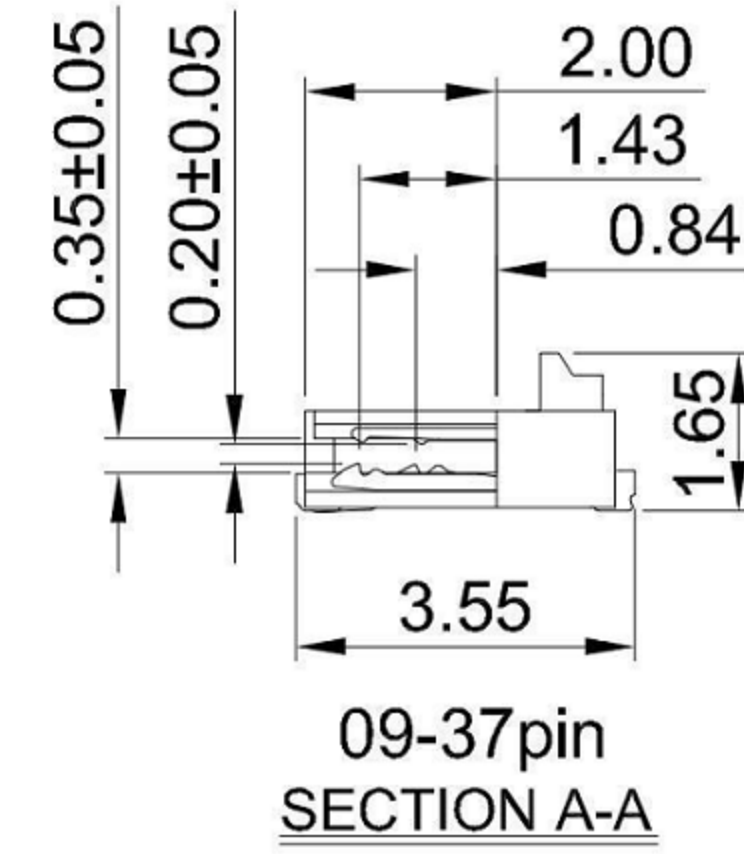
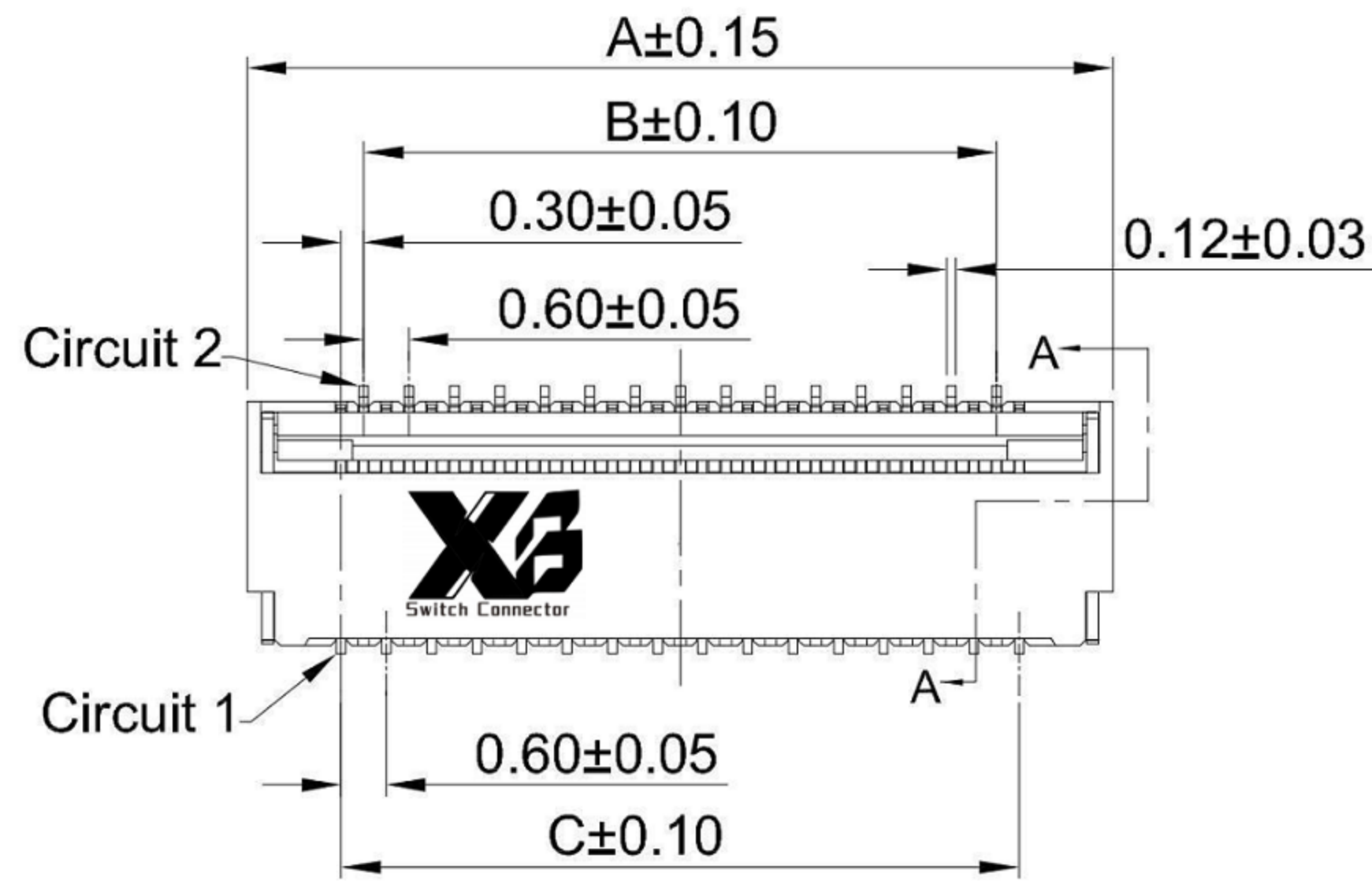
XB connector
 Series No
 Termipoint S-SMT
 Angle R-90°
 Terminal Plating 01-G/F
 Housing Colour S-Nature
 Pin Q' PY 09~51
 Height 10-1.0mm

XB-FPC specifications:

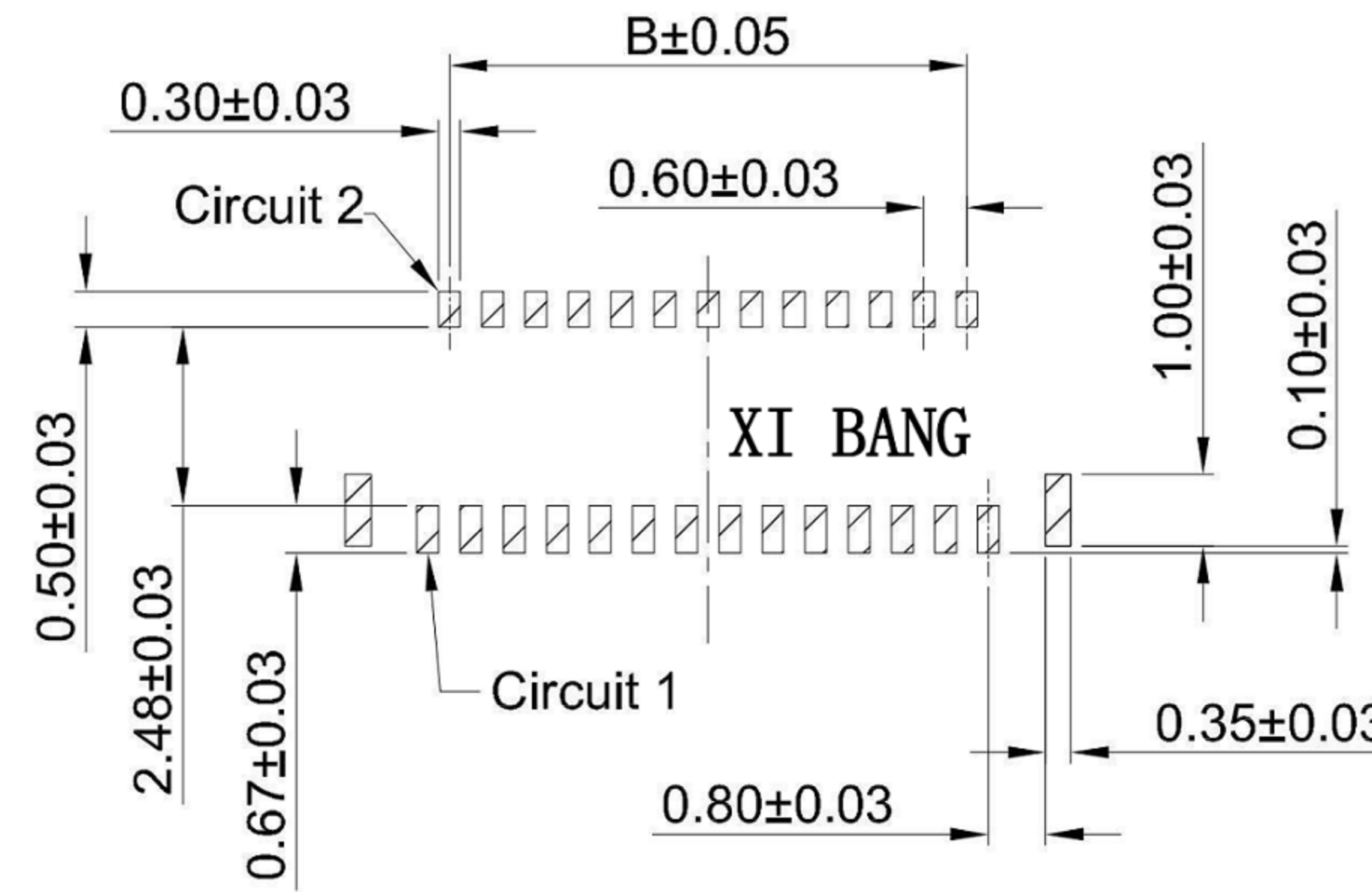
1. Current rated: 0.3A AC/DC
2. Voltage rating: 30V AC/DC
3. Withstanding voltage: 500V AC for 1 min
4. Contact resistance: 100mΩ max.
5. Insulation resistance: 50MΩ min
6. Durability cycle: 10Cycles
7. Removal force: 0.015kgf/Pin min
8. Operating temperature range: -45°C ~ +85°C

Ordering Information:

Circuit	Dimensions(mm)					
	A	B	C	D	E	F
09	4.90	1.80	2.40	3.03	4.35	3.00
11	5.50	2.40	3.00	3.63	4.95	3.60
13	6.10	3.00	3.60	4.23	5.55	4.20
15	6.70	3.60	4.20	4.83	6.15	4.80
17	7.30	4.20	4.80	5.43	6.75	5.40
19	7.90	4.80	5.40	6.03	7.35	6.00
21	8.50	5.40	6.00	6.63	7.95	6.60
23	9.10	6.00	6.60	7.23	8.55	7.20
25	9.70	6.60	7.20	7.83	9.15	7.80
27	10.30	7.20	7.80	8.43	9.75	8.40
29	10.90	7.80	8.40	9.03	10.35	9.00
31	11.50	8.40	9.00	9.63	10.95	9.60
33	12.10	9.00	9.60	10.23	11.55	10.20
35	12.70	9.60	10.20	10.83	12.15	10.80
37	13.30	10.20	10.80	11.43	12.75	11.40
39	13.90	10.80	11.40	12.03	13.35	12.00
41	14.50	11.40	12.00	12.63	13.95	12.60
43	15.10	12.00	12.60	13.23	14.55	13.20
45	15.70	12.60	13.20	13.83	15.15	13.80
47	16.30	13.20	13.80	14.43	15.75	14.40
49	16.90	13.80	14.40	15.03	16.35	15.20
51	17.50	14.40	15.00	15.63	16.95	15.60



APPLICABLE FPC



RECOMMENDED PCB LAYOUT
TOLERANCE:±0.05

Long Cover type

东莞市溪榜电子有限公司
DONG GUAN XI BANG ELECTRONICS CO., LTD.

TOLERANCE UNLESS OTHERWISE STATED:
 Up to 5 ±0.2
 Above 5 ~ 15 ±0.3
 Above 15 ~ 30 ±0.4
 Above 30 ~ 50 ±0.5
 Angle ±0.3°

3RD. ANGEL'S

UNITS MM

DRAWN BY: Jack Lu
 CHECKED BY: Jacky Chen
 APPROVED BY: Tony Kao

DATE: 03/10/22
 DATE: 03/10/22
 DATE: 03/10/22

MAT'L
 FINISH
 SCALE 1:1
 SHEET NO. 1 of 1

TITLE CONNECTOR
 MODLE FPC 0.30mm Pitch 90° SMT Type H1.00mm Back Flip Connector
 DWG NO. XB-FPC-0301SR10-XXXXX01
 PART NO.

SIZE A4
 VER R1

ITEM NO.	DESCRIPTION	DRAWN	DATE
1	更新圖面	Jack	031022