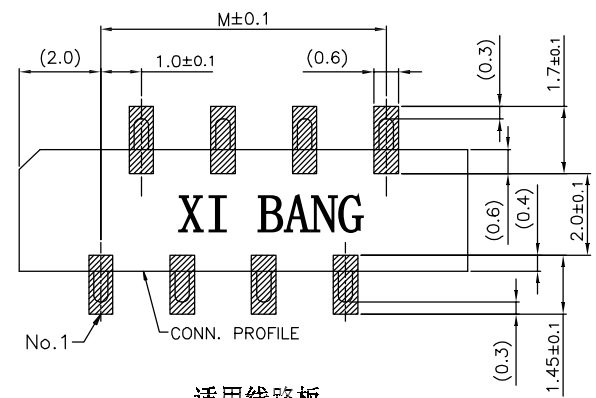
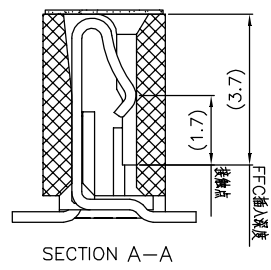
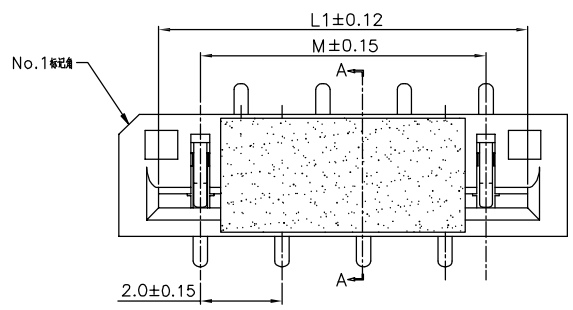


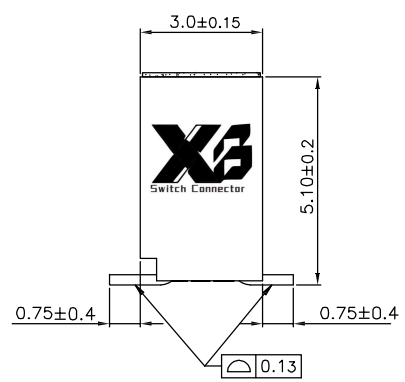
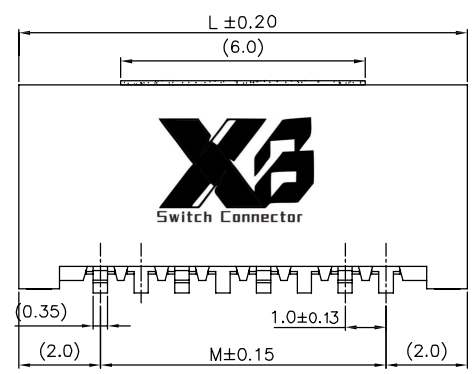
1 2 3 4 5 6 7 8 9

F  
E  
D  
C  
B  
A

F  
E  
D  
C  
B  
A



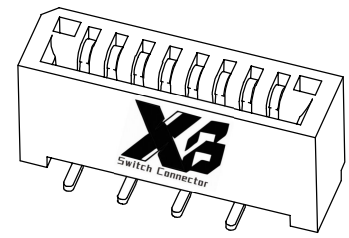
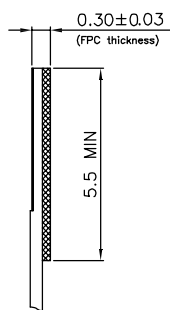
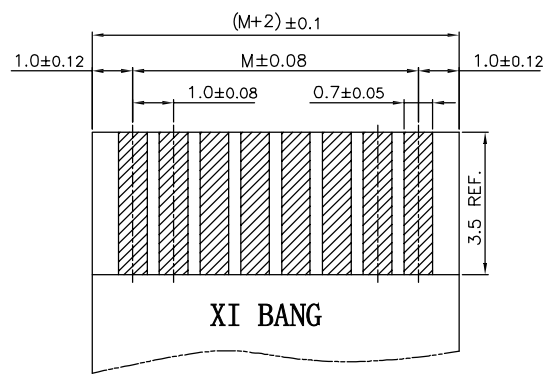
适用线路板  
RECOMMENDED PCB LAYOUT



- NOTES:
- MATERIAL ;  
HOUSING: PA6T (UL94V-0)  
CONTACT: PHOSPHOR BRONZE
  - PLATING SEE PART NUMBER
  - RATING  
3-1. OPERATING TEMPERATURE: -25~85°C  
3-2. OPERATING VOLTAGE: 125V AC/DC  
3-3. CURRENT RATING: 0.5 AMPS  
3-4. DIELECTRIC WITHSTANDING VLTAGE:  
500V AC/Minute;  
3-5. INSULATION RESISTANCE:100MΩ Min;  
3-6. CONTACT RESISTANCE:0.03Ω Max;

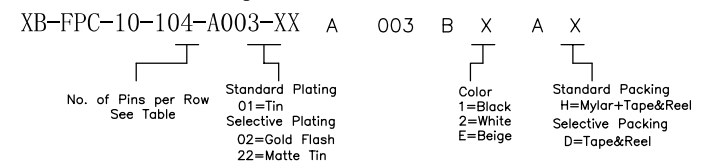
TABLE

No. of PIN/ROW	Dimension Information		
	Dim.M	Dim.L1	Dim.L
05	4.00	6.05	8.00
06	5.00	7.05	9.00
08	7.00	9.05	11.00
09	8.00	10.05	12.00
10	9.00	11.05	13.00
13	12.00	14.05	16.00
14	13.00	15.05	17.00
15	14.00	16.05	18.00
16	15.00	17.05	19.00
19	18.00	20.05	22.00
30	29.00	31.05	33.00



适用FPC寸法  
APPLICABLE FPC

Ordering Information



A

A

**东莞市溪榜电子有限公司**  
DONG GUAN XI BANG ELECTRONICS CO., LTD

REV. A UNIT. mm SCALE. 1:1

3RD ANG PROJ.

PAGE. 1/1

GENERAL TOLERANCE	
X.*±5.0°	X.±0.30
.X*±3.0°	.X±0.25
.XX*±2.0°	.XX±0.20
.XXX*±1.0°	.XXX±0.10

DESIGNED:

CHECKED:

APPROVED:

DATE:

DATE:

DATE:

DWG. NO.  
XB-FPC-10-104-A003

PART NO.

TITLE.  
1.00 FPC SMT VERTICAL CONTACT CONNECTOR

1 2 3 4 5 6 7 8 9