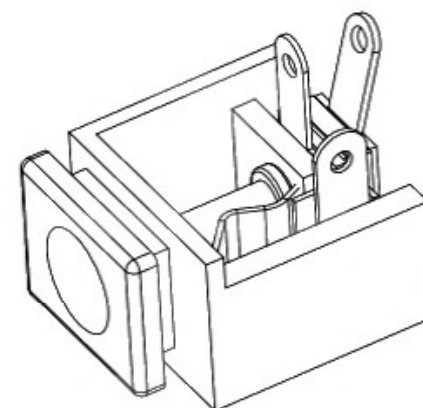


DC MATE PLUG

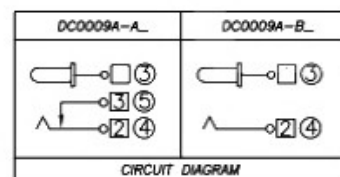
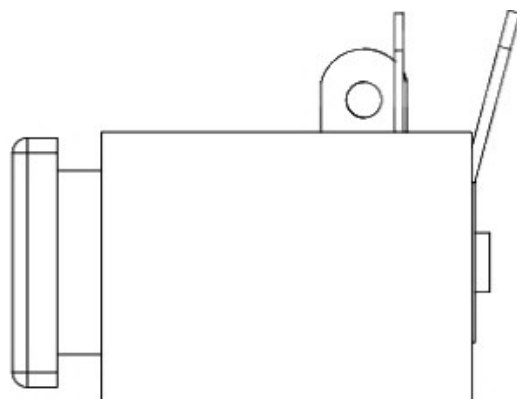
Specification:

1. Rating : DC 20V 2.5A;
2. Contact resistance: $\leq 30m\Omega$;
After test: $\leq 50m\Omega$
3. : Insulation resistance $\geq 100M\Omega$ (500VDC);
After test: $\geq 50M\Omega$
4. Withstand voltage: 500VAC ;
5. Insertion and extraction force: 3N~30N;
6. life test: 5000cycles min;
7. Operation temperature range: $-20^{\circ}C \sim 70^{\circ}C$;
8. Preservation temperature range: $-40^{\circ}C \sim 85^{\circ}C$;



DC 0 0 0 9 A - □ □ □ □ □ □ □ □ □
① ② ③ ④ ⑤ ⑥ ⑦ ⑧ ⑨

- ①: Series type: DC=DC POWER JACK
- ②: Series No.
- ③: Schematic option:
A、B
- ④: Center pin diameter:
H: $\phi 2.0$, I: $\phi 2.35$, J: $\phi 2.5$
- ⑤: Material of housing:
PB=PBT (Standard)
- ⑥: Housing color:
0A=Black (Standard)
- ⑦: Terminal plating:
T: Tin(Sn)
- ⑧: Special option:
0: No special option
- ⑨: Packing mode:
4: Bag packing



□ : TERMINAL NO. ○ : ITEM NO.

Model No.	DC0009A- _H	DC0009A- _J	DC0009A- _J
PIN	$\phi 2.0$	$\phi 2.35$	$\phi 2.5$

NO.	DESCRIPTION	QTY	MATERIAL	PLATING
⑥	Spacer	2	PF	
⑤	Shunt terminal	1	Brass	Sn-Plating
④	Tip spring	1	SUS301	Sn-Plating
③	Center pin terminal	1	Brass	Sn-Plating
②	Center pin	1	Brass	Ni-Plating
①	Housing	1	PBT UL94V-0	

DONG GUAN XI BANG ELECTRONIC CO., LTD

COPYRIGHT RESERVED, PLEASE DO NOT COPY.

PART NAME		DC POWER JACK		DRAWING		Y,C,ZHANG		DWG.No.		SBICL	
PART NO.				CHECK		G.C.Chen		REV.		A1	
UNIT :		TOLERANCE		ANGLE		APPROVAL		DATE		07-06-2012	
mm		UP TO 5 ±0.2		° ±3		SCALE		PAGE		1 OF 1	
		OTHERWISE				2:1		REV.			
		ABOVE 5~30 ±0.3						DATE			
		ABOVE 30 ±0.5						PAGE			
		ANGLE ±T						1 OF 1			