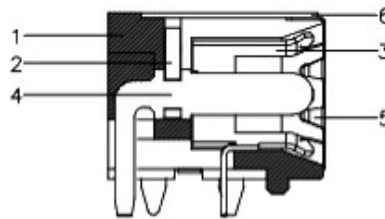
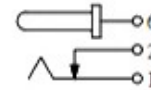
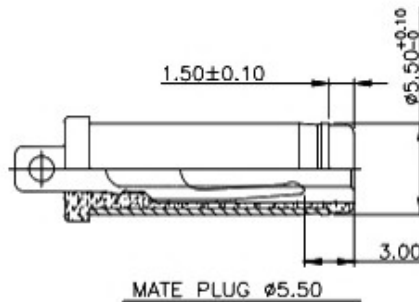
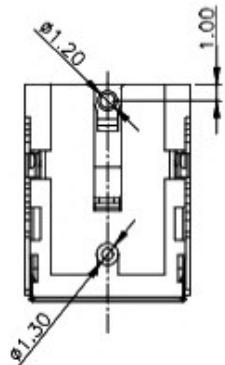
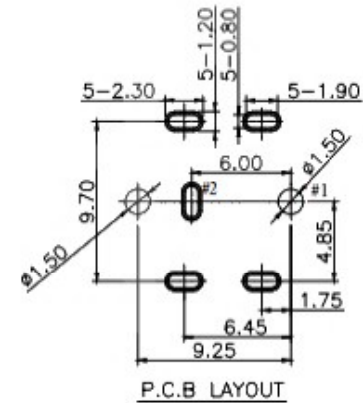
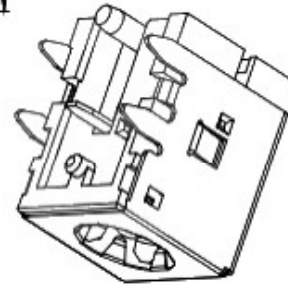
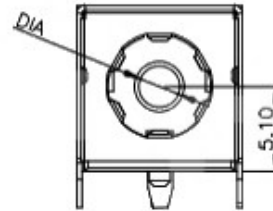
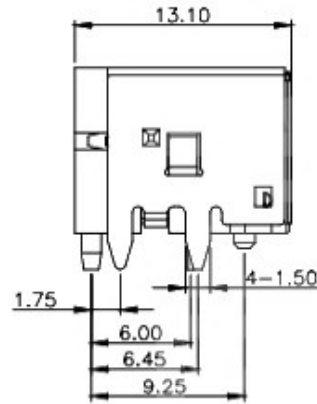
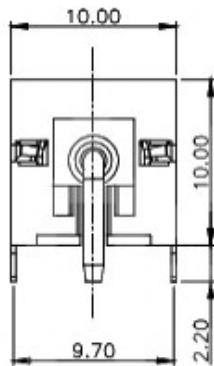


PART NO.	DIA.
DC-0071-2.0	2.0
DC-0071-2.5	2.5



SPECIFICATIONS

1. ELECTRICAL CHARACTERISTICS:
 - 1-1. RATING: DC 8A 24V
 - 1-2. CONTACT RESISTANCE: 30mΩ MAX(INITIAL)
 - 1-3. DIELECTRIC WITHSTANDING VOLTAGE: 500V AC FOR ONE MINUTE
 - 1-4. INSULATION RESISTANCE: 100MΩ MIN, MEASURED BY 500V DC
2. MECHANICAL PERFORMANCE
 - 2.1. OPERATING FORCE : 0.5-3.0kgf
3. LIFE TEST
 - 3.1. ELECTRONICS LIFE TEST 5,000 CYCLES.
4. MEASURING CONDITION:
 - 4.1. TEMPERATURE: FROM 5°C TO 35°C.
 - 4.2. RELATIVE HUMIDITY: FROM 45% TO 85%RH .
5. ENVIRONMENTAL SPECIFICATIONS:
 - 5.1. HUMIDITY TEST: HUMIDITY 90% TO 95% TEMPERATURE 40 ± 2°C FOR 96 HOURS.
 - 5.2. HEAT TEST: TEMPERATURE 80 ± 2°C (HUMIDITY BELOW 50%)
 - 5.3. COLD TEST: TEMPERATURE -40 ± 2°C FOR 96 HOURS.



SCHEMATIC

6	FRAME	C2680	1	NI PLATED
5	COVER	SUS	1	NI PLATED
4	PIN TEMRINAL(D)	C2680	1	Au PLATED
3	SPRING CDNTAC(C)T	C5210	1	Ag PLATED
2	COVER	PA10T 94V0	1	BLACK
1	HOUSING	PA10T 94V0	1	BLACK
No.	DESCRIPTION	MATERIAL	QTY.	PLATING

DONG GUAN XI BANG ELECTRONIC CO., LTD

COPYRIGHT RESERVED, PLEASE DO NOT COPY.

PART NAME		DC POWER JACK		DRAWING	Z. L. Liang	DWG. No.	
PART NO.				CHECK	G. C. Chen	REV.	A0
UNIT : mm	TOLERANCE UNLESS OTHERWISE SPECIFIED	X.X ± 0.3	ANGLE	APPROVAL	G. C. Chen	DATE	
		X.XX ± 0.2		±2°	SCALE	1:1	PAGE
		X.XXX ± 0.1					