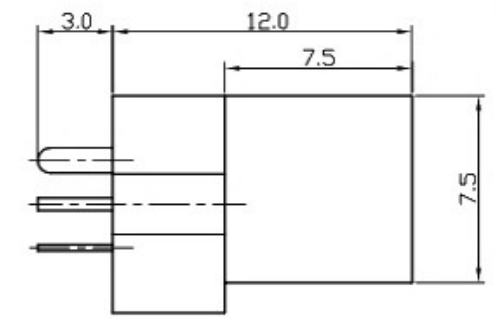
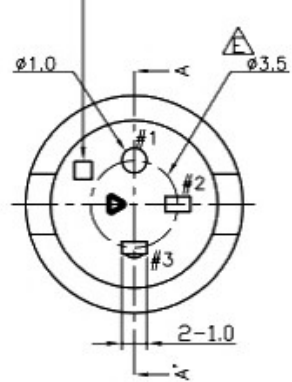
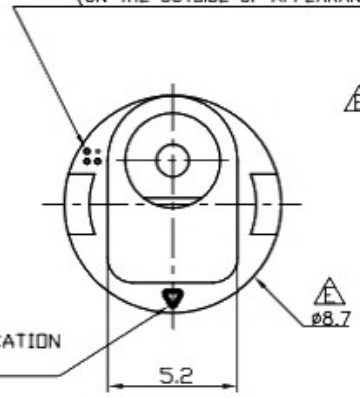


HIGH TEMP. MARK FOR PA-9T
(SQUARE 0.7x0.7 DEPTH 0.25mm)



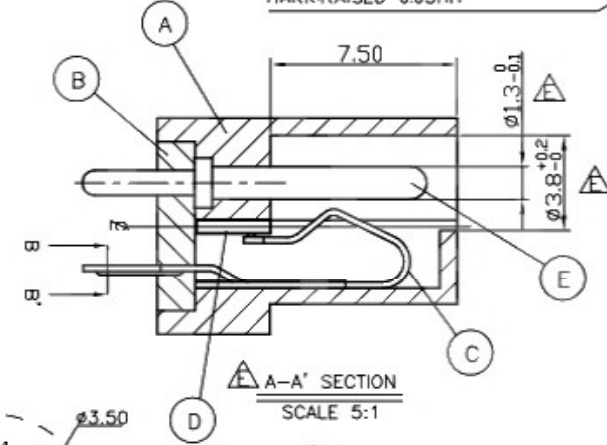
CAVITY MARK RAISED 0.1mm
(ON THE OUTSIDE OF APPEARANCE)



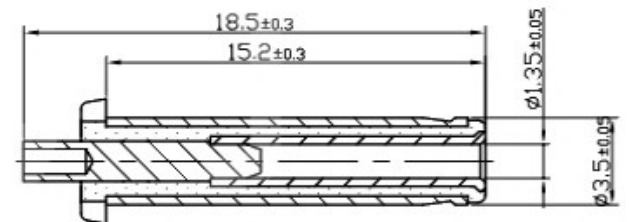
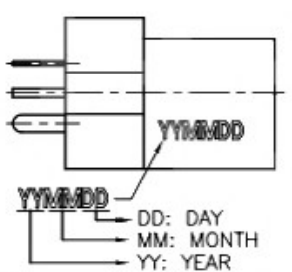
GREEN PRODUCT IDENTIFICATION
MARK-RAISED 0.05mm

- SPECIFICATIONS:**
- ELECTRICAL CHARACTERISTICS:**
 - 1-1. RATING: 12VDC MAX. 1A MAX.
 - 1-2. CONTACT RESISTANCE: 20mΩ MAX.(INITIAL)
 - 1-3. DIELECTRIC WITHSTANDING VOLTAGE: 200V DC FOR ONE MINUTE.
 - 1-4. INSULATION RESISTANCE: 10MΩ MIN. MEASURED BY 250 VDC
 - MECHANICAL CHARACTERISTICS:**
 - 2-1. INSERTION FORCE : 3.0 KGF MAX.
 - 2-2. WITHDRAWAL FORCE : 0.3~1.5 KGF
 - LIFE TEST: 5,000 CYCLES MIN.**
 - OTHER GENERAL SPEC. TO REFER "20C-0036 SERIES SPEC".**
 - TO CONFORM TO SINGATRON HAZARDOUS SUBSTANCE FREE SPEC.**
 - GREEN PRODUCT IDENTIFICATION MARK ON JACK:**
 - GREEN PRODUCT IDENTIFICATION LABEL ON PACKAGING:** **G.P. PASS**
 - FOR REFLOW SOLDERING LEAD-FREE PROCESS.**
 - PACKAGING: BAG**

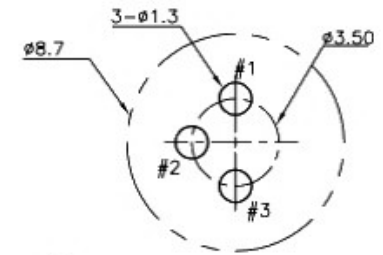
B-B' SECTION
SCALE 50:1



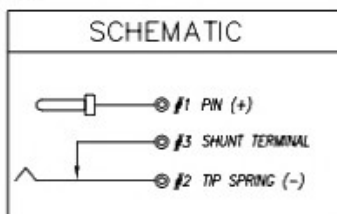
A-A' SECTION
SCALE 5:1



MATING PLUG: ODφ3.5 x IDφ1.3 PLUG



RECOMMENDED P.C.B LAYOUT
TOP VIEW Tolerance: ±0.05



NO	DESCRIPTION	QTY	MATERIAL	PLATING & COLOR
E	CONTACT PIN	1	BRASS	GOLD FLASH
D	SHUNT TERMINAL	1	BRAS 0.5t	GOLD FLASH
C	TIP SPRING	1	COPPER ALLOY 0.25t	GOLD FLASH
B	COVER	1	PA9T UL 94V-0	BLACK COLOR
A	BODY	1	PA9T UL 94V-0	BLACK COLOR

DONG GUAN XI BANG ELECTRONIC CO., LTD

PART NAME		DC POWER JACK		DRAWING	Y,C,ZHANG	DWG.No.	SBICL
PART NO.				CHECK	G.C.Chen	REV.	A1
UNIT :	TOLERANCE	UP TO 5	±0.2	ANGLE	APPROVAL	DATE	15-01-2008
mm	OTHERWISE	ABOVE 5 ~30	±0.3	SCALE	2:1	PAGE	1 OF 1
		ABOVE 30	±0.5				
		ANGLE	±3'				

COPYRIGHT RESERVED,PLEASE DO NOT COPY.