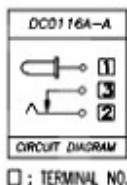
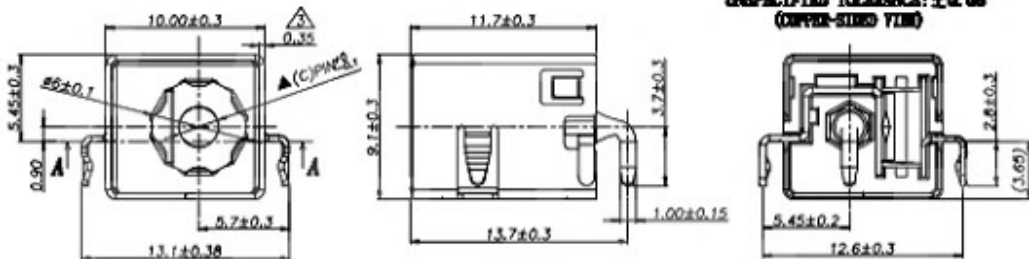
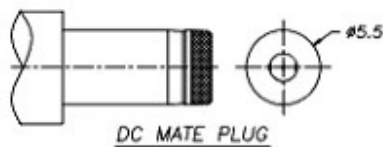


RECOMMENDED P.C.B. LAYOUT
UNSPECIFIED TOLERANCE: ±0.05
(COPPER-SILVER FILM)



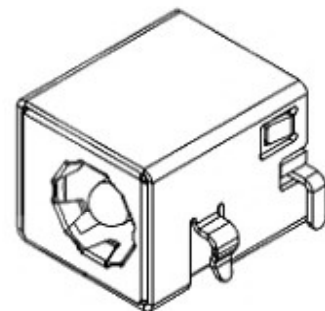
Ordering information:
DC 0116A - A a a a 0A - a 1
(1) (2) (3) (4) (5) (6) (7) (8) (9)
(1):Series type:DC-DC POWER JACK
(2):Series No.
(3):Schematic option: A
(4):Center pin diameter:
G=1.65, H=2.0, J=2.5
(5):Material of housing:
9T=PA9T (Standard), 10=PA10T
(6):Housing color: 0A=Black
(7):Terminal plating:
S=Silver(Ag9u) A=Ag20u"
(8):Special option:
Zero 0=No special option
H=Housing is Halogen Free.
W=白色胶壳
L=蓝色胶壳
G=插针镀金
(9):Packing mode: 1=Reel packing

- SPECIFICATION**
- Rating : DC 20V 7A;
 - Contact resistance: $\leq 30m\Omega$,
After life test: $\leq 50m\Omega$;
 - Insulation resistance: $\geq 100M\Omega$ (DC500V),
After life test: $\geq 50M\Omega$;
 - Withstand voltage: 500VAC ;
 - Insertion and extraction force: 3-30N;
 - life test: 5,000 cycles;
 - Operation temperature range: -20°C~70°C;
 - Preservative temperature range: -40°C~85°C;
 - Sign"▲" is importance dimension.



Model No.	DC0116A-__H	DC0116A-__J
PIN	#2.0	#2.5

NO.	DESCRIPTION	QTY	MATERIAL	PART NO.	RMARK
⑦	Ground terminal	1	Stainless steel, t0.1	DC0116A-E1	
⑥	Shield	1	Brass, t0.35	DC01160-W1	Nickel plating
⑤	Terminal	1	Brass, t0.4	DC01160-04	
④	Shunt terminal	1	Brass, t0.4	DC01160-03	Silver plating
③	Tip spring	1	Phosphor bronze, t0.3	DC01160-02	Silver plating
②	Center pin	1	Zinc alloy	DC01160-99H/J	Nickel/Gold plating
①	Housing	1	PA9T,PA10T UL94V-0	DC0116A-S1	Black



DONG GUAN XI BANG ELECTRONIC CO., LTD

COPYRIGHT RESERVED,PLEASE DO NOT COPY.

PART NAME		DC POWER JACK		DRAWING		G.C.Chen		DWG.No.	
PART NO.				CHECK		G.C.Chen		REV. A	
UNIT :		TOLERANCE		APPROVAL		DATE			
mm		OTHERWISE		SCALE		2:1		PAGE 1 OF 1	
		UP TO 5	±0.2						
		ABOVE 5~30	±0.3						
		ABOVE 30	±0.5						
		ANGLE	±3°						
		ANGLE	0±3°						