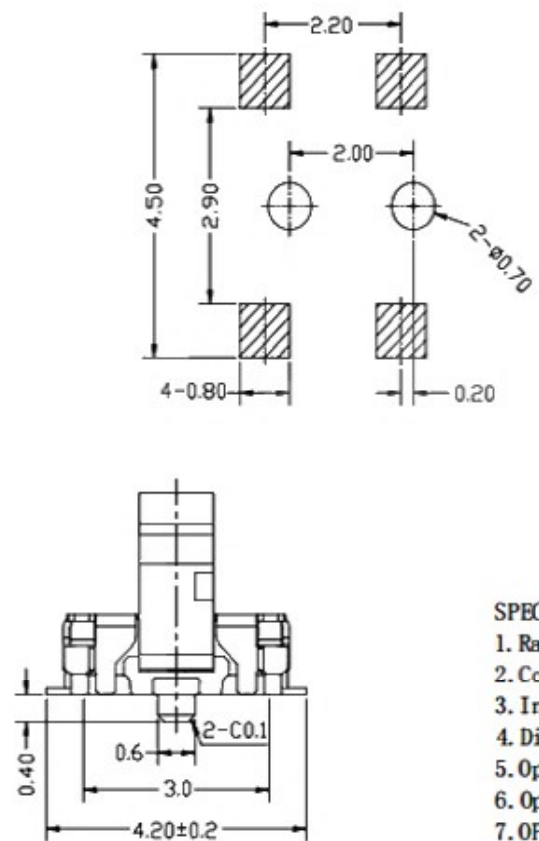
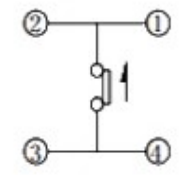


REFERENCE DRAWING

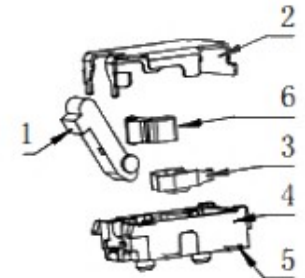
PCB WELDING DIMENSIONS



ELECTRICAL DIAGRAM



MATERIAL PORTFOLIO CHART



SPECIFICATION

1. Rating: 1mA 5V DC Max. 1μA 3V DC Min
2. Contact resistance: 3Ω MAX
3. Insulation resistance: 100MΩ Min. 100V DC
4. Dielectric strength: 100V AC/min
5. Operating force: 35gf Max
6. Operating life: 50,000 cycles
7. OPERATING TEMP: -40℃ to +85℃

NO (序号)	PART NAME (部件名)	QTY (数量)	MATERIAL (材料)	REMARK (备注)
6	SPACER (垫片)	1	PA66	
5	TERMINAL (端子)	1	PHOSPHOR	Ag plating
4	HOUSING (基座)	1	PA6T	
3	CONTACT FORM (弹片)	1	PHOSPHOR	Ag plating
2	COVER (盖板)	1	SUS	
1	STEM (接脚)	1	PA66	

DONG GUAN XI BANG ELECTRONIC CO., LTD

PART NAME		DETECTION SWITCH		DRAWING		Y,C,ZHANG		DWG.No.		SBICL	
PART NO.				CHECK		G.C.Chen		REV.		A1	
UNIT : mm		TOLERANCE OTHERWISE		UP TO 5 ±0.2 ABOVE 5~30 ±0.3 ABOVE 30 ±0.5 ANGLE ±3		APPROVAL		DATE			
				SCALE		2:1		PAGE		1 OF 1	

COPYRIGHT RESERVED, PLEASE DO NOT COPY.