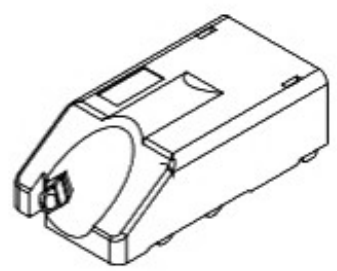
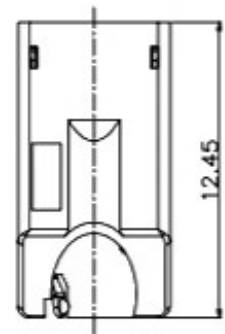
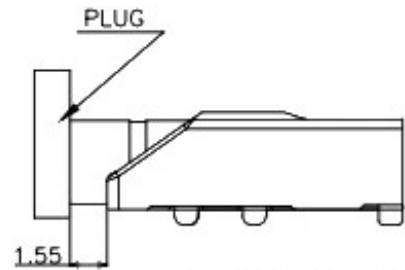


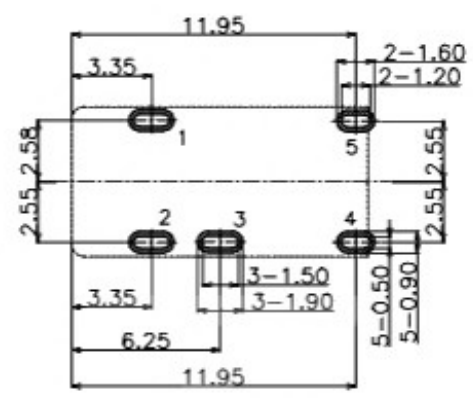
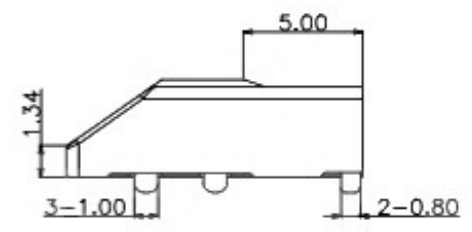
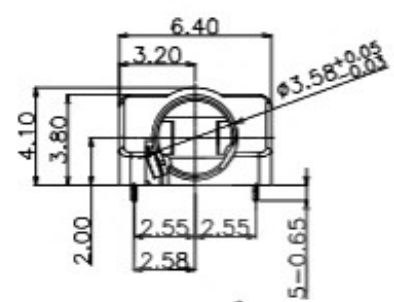
- CONTACT CURRENT RATING: 1A.
- CONTACT RESISTANCE: 50 mΩ MAX.;
- INSULATION RESISTANCE: 100MΩ MIN.;
- DIELECTRIC WITHSTANDING: 500V AC MIN.;
- DURABILITY: 5,000 CYCLES MIN.;
- CONNECTOR MATING FORCES: 30N MAX.;
- CONNECTOR UNMATING FORCES: 3N MIN.;



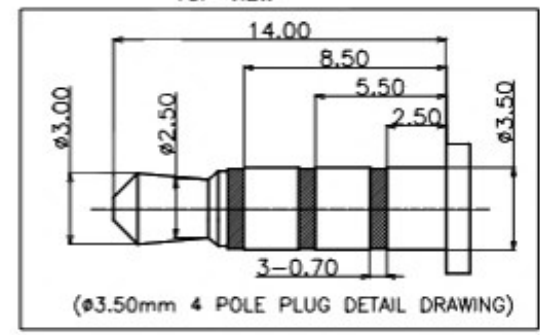
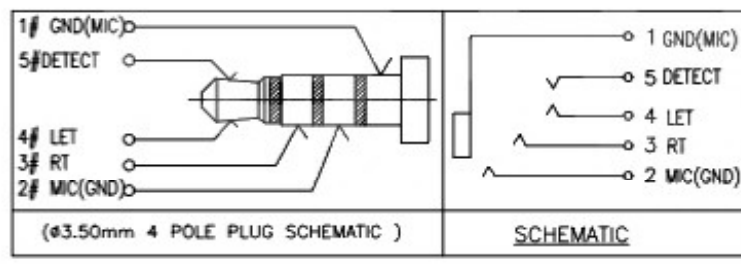
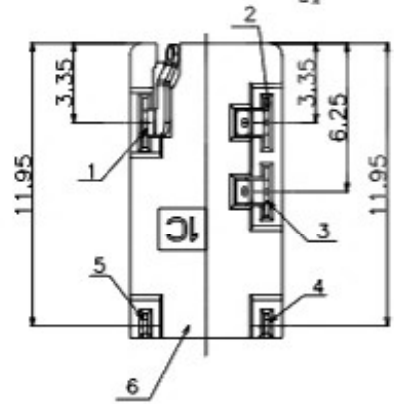
3D VIEW



PLUG MATE DRAWING



P.C.B LAYOUT
TOP VIEW



6	HOUSING	1	HIGHT TEMPERATURE PLASTIC; COLOR BLACK	
5	TERMINAL 5#	1	STAINLESS STEEL; NICKEL UNDER PLATING OVERALL, GOLD PLATING ON SOLDER AREA; GOLD PLATING ON CONTACT AREA	T=0.20mm
4	TERMINAL 4#	1	ON SOLDER AREA; GOLD PLATING ON CONTACT AREA	T=0.20mm
3	TERMINAL 3#	1		T=0.20mm
2	TERMINAL 2#	1	COPPER ALLOY; NICKEL UNDER PLATING OVERALL, GOLD PLATING ON SOLDER AREA; GOLD PLATING ON CONTACT AREA	T=0.20mm
1	TERMINAL 1#	1		T=0.20mm
ITEM	NAME	QTY	DESCRIPTION	NOTE

PART NAME		PHONE JACK		DRAWING		Y,C,ZHANG		DWG.No.		SBICL	
PART NO.		PJ-619		CHECK		G.C.Chen		REV.		A1	
UNIT :	mm	TOLERANCE OTHERWISE	UP TO 5	±0.2	ANGLE	APPROVAL	SCALE	DATE	PAGE	1 OF 1	
			ABOVE 5 ~ 30	±0.3							0±0.5
			ABOVE 30	±0.5			2:1				
			ANGLE	±0.5							