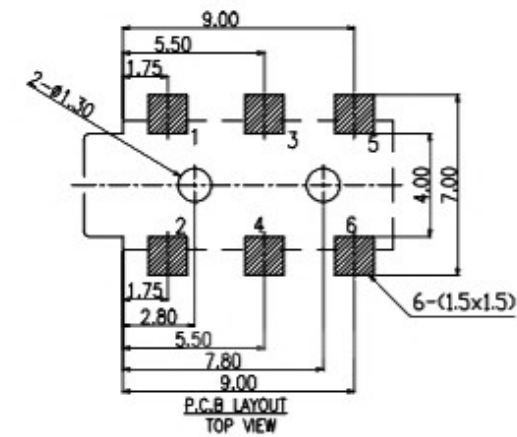
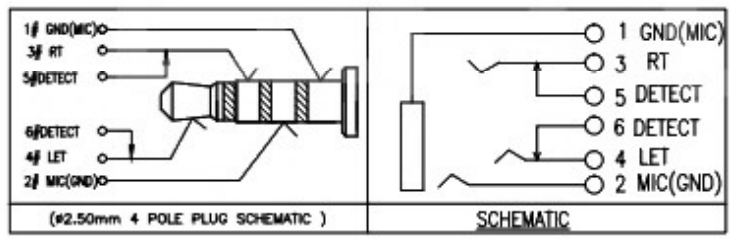
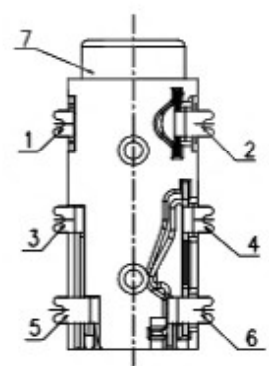
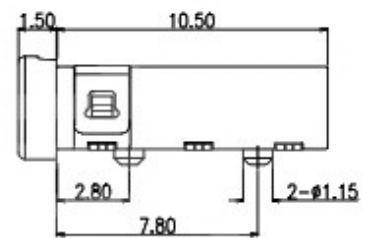
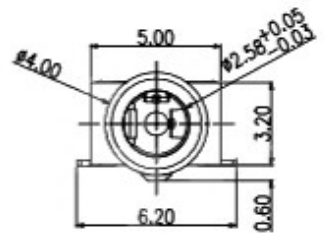


3D VIEW

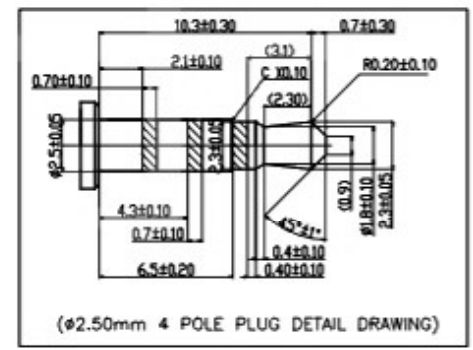


P.C.B. LAYOUT
TOP VIEW



(Ø2.50mm 4 POLE PLUG SCHEMATIC)

SCHEMATIC



(Ø2.50mm 4 POLE PLUG DETAIL DRAWING)

- CONTACT CURRENT RATING: 1A.
- CONTACT RESISTANCE: 100 mΩ MAX.;
- INSULATION RESISTANCE: 100MΩ MIN.;
- DIELECTRIC WITHSTANDING: 500V AC MIN.;
- DURABILITY: 5,000 CYCLES MIN.;
- CONNECTOR MATING FORCES: 30N MAX.;
- CONNECTOR UNMATING FORCES: 3N MIN.;

7	TERMINAL 6#	1		
6	TERMINAL 5#	1	PHOSPHOR BRONZE; NICKEL UNDER PLATING OVERALL,GOLD PLATING ON SOLDER AREA ;GOLD PLATING ON CONTACT AREA	
5	TERMINAL 4#	1		
4	TERMINAL 3#	1	PHOSPHOR BRONZE; NICKEL UNDER PLATING OVERALL,GOLD PLATING ON SOLDER AREA ;GOLD PLATING ON CONTACT AREA	
3	TERMINAL 2#	1		
2	TERMINAL 1#	1	PHOSPHOR BRONZE; THE BOTTOM OF THE NICKEL; THE WHOLE GOLD PLATING.	
1	HOUSING	1	PART COLOR BLACK	
ITEM	NAME	Q'TY	DESCRIPTION	NOTE

PART NAME		PHONE JACK		DRAWING	Y,C,ZHANG	DWG.No.	SBICL
PART NO.		PJ-237		CHECK	G.C.Chen	REV.	A1
UNIT :	mm	TOLERANCE	UP TO 5 ±0.2	APPROVAL	SCALE	DATE	PAGE
		OTHERWISE	ABOVE 5 ~30 ±0.3				
			ABOVE 30 ±0.5		2:1		1 OF 1
			ANGLE ±3°				