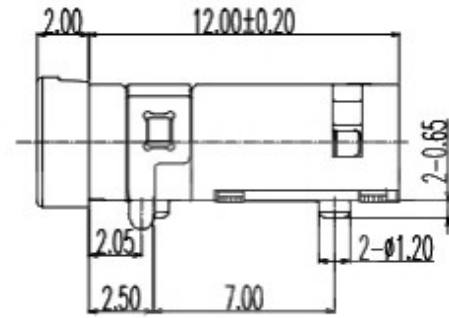
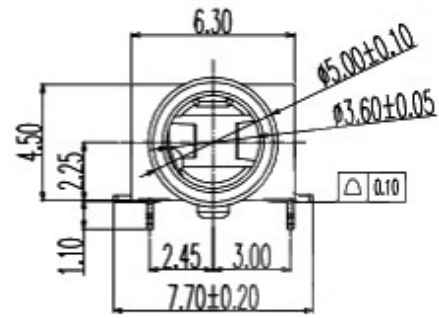
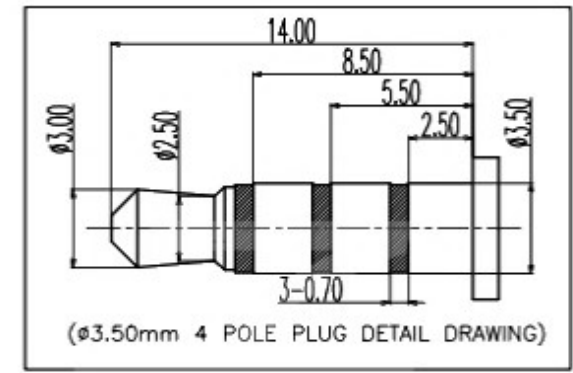


3D VIEW

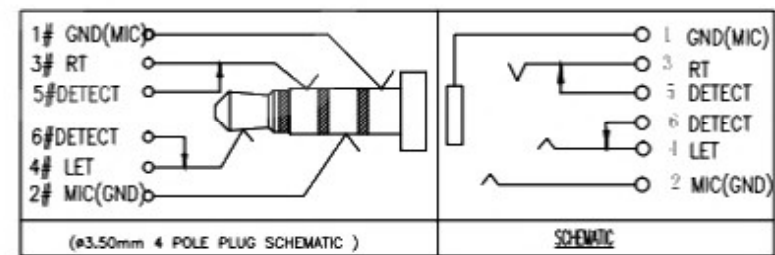
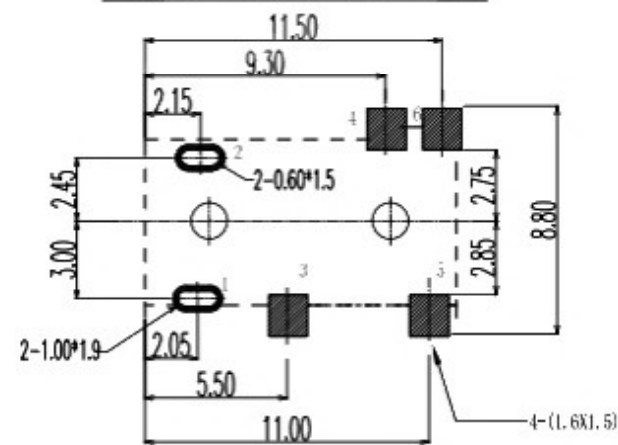
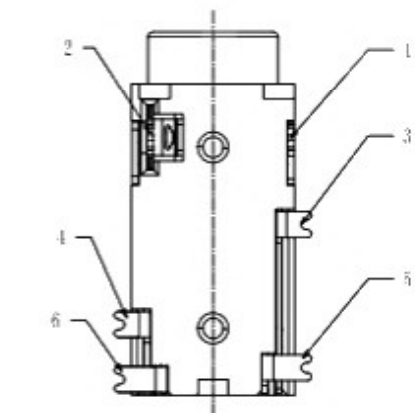
1. CONTACT CURRENT RATING: 1A.
2. CONTACT RESISTANCE: 30 mΩ MAX.;
3. INSULATION RESISTANCE: 100MΩ MIN.;
4. DIELECTRIC WITHSTANDING: 500V AC MIN.;
5. DURABILITY: 5,000 CYCLES MIN.;
6. CONNECTOR MATING FORCES: 29.4N MAX.;
7. CONNECTOR UNMATING FORCES: 2.94N MIN.;



P.C.B LAYOUT TOP VIEW



(φ3.50mm 4 POLE PLUG DETAIL DRAWING)



(φ3.50mm 4 POLE PLUG SCHEMATIC)

SCHEMATIC

ITEM	NAME	QTY	DESCRIPTION	NOTE
7	HOUSING	1	PPA COLOR BLACK	
6	TERMINAL 6#	1	BRASS; NICKEL(40%MIN.) UNDER PLATING OVERALL; GOLD FLASH PLATING ON SOLDER AREA	T=0.20mm
5	TERMINAL 5#	1	BRASS; NICKEL(40%MIN.) UNDER PLATING OVERALL; GOLD FLASH PLATING ON SOLDER AREA	T=0.20mm
4	TERMINAL 4#	1	STAINLESS STEEL; NICKEL(40%MIN.) UNDER PLATING OVERALL; GOLD FLASH PLATING ON SOLDER AREA ;GOLD FLASH PLATING ON CONTACT AREA	T=0.20mm
3	TERMINAL 3#	1	PHOSPHOR BRONZE; NICKEL(40%MIN.) UNDER PLATING OVERALL; GOLD FLASH PLATING ON SOLDER AREA ;GOLD FLASH PLATING ON CONTACT AREA	T=0.20mm
2	TERMINAL 2#	1	PHOSPHOR BRONZE; NICKEL(40%MIN.) UNDER PLATING OVERALL; GOLD FLASH PLATING ON SOLDER AREA ;GOLD FLASH PLATING ON CONTACT AREA	T=0.20mm
1	TERMINAL 1#	1	PHOSPHOR BRONZE; NICKEL(40%MIN.) UNDER PLATING OVERALL; GOLD FLASH PLATING OVERALL	T=0.20mm

PART NAME		PHONE JACK		DRAWING	Y,C,ZHANG	DWG.No.	SBICL
PART NO.		PJ-3136D		CHECK	G.C.Chen	REV.	A1
UNIT : mm	TOLERANCE	UP TO 5	±0.2	APPROVAL	SCALE	DATE	PAGE
	OTHERWISE	ABOVE 5~30	±0.3			1 OF 1	
		ANGLE	±3'		2:1		