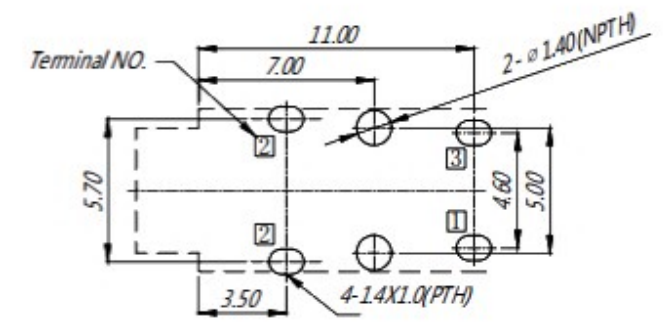
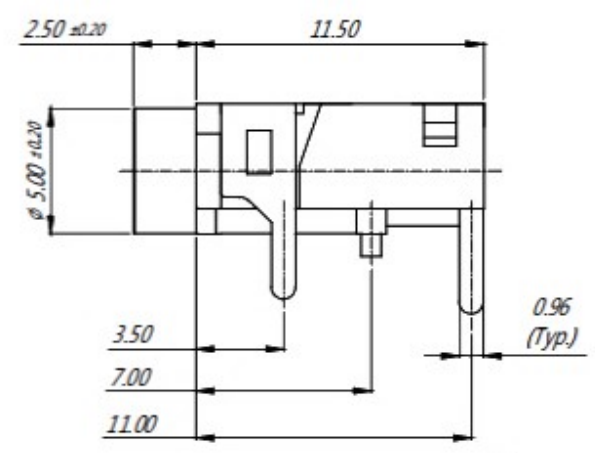
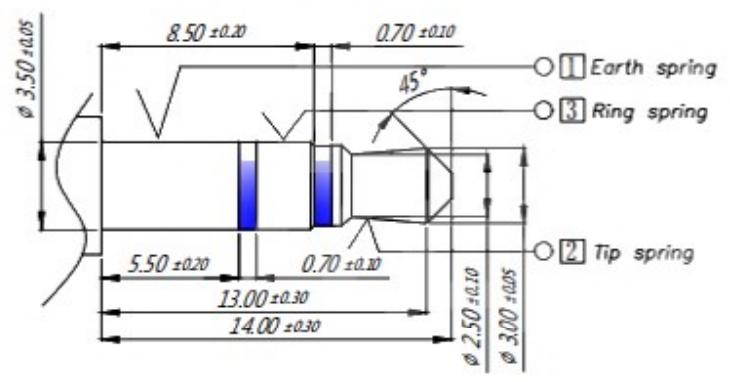


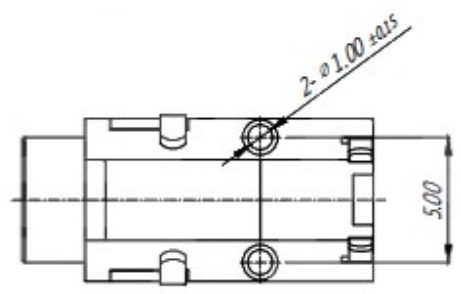
Matching Plug



RECOMMENDED P. C. B. LAYOUT  
UNSPECIFIED TOLERANCE: ±0.05  
(TOP VIEW)

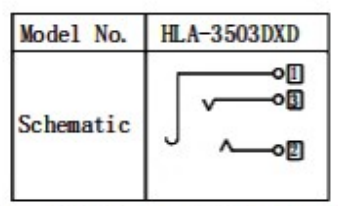


- 1 Earth spring
- 3 Ring spring
- 2 Tip spring



Specification:

1. Rating : DC 30V 0.5A;
2. Contact resistance: ≤30mΩ ;  
After test: ≤50mΩ
3. Insulation resistance: ≥100MΩ (500VDC);  
After test: ≥50MΩ
4. Withstand voltage: 500VAC ;
5. Insertion and extraction force: 3N~30N;
6. life test: 5000cycles min;
7. Operation temperature range: -20°C~70°C;
8. Preservation temperature range: -40°C~85°C.



Circuit Diagram □ :Terminal No.

NO.	DESCRIPTION	QTY	MATERIAL	REMARK
4	Ring spring 3	1	Copper Alloy	Silver/Gold plating
3	Tip spring 2	1	Copper Alloy	Silver/Gold plating
2	Earth spring 1	1	Copper Alloy	Silver/Gold plating
1	Housing	1	PBT4815	Black

PART NAME		PHONE JACK		DRAWING	Y,C,ZHANG	DWG.No.	SBICL
PART NO.		PJ-321		CHECK	G.C.Chen	REV.	A1
	UNIT : mm	TOLERANCE OTHERWISE	UP TO 5	±0.2	APPROVAL	DATE	
			ABOVE 5~30	±0.3			
			ABOVE 30	±0.5	SCALE	PAGE	1 OF 1
			ANGLE	±5°			