

NOTES

1. MATERIAL & FLASH/PLATED

1.1 HOUSING: HIGH TEMP. THERMOPLASTIC+GLASS FIBRE

[UL 94V-0]; COLOR: BLACK

1.2 TERMINAL: COPPER ALLOY

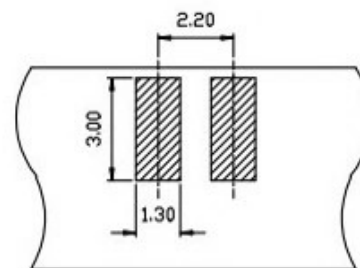
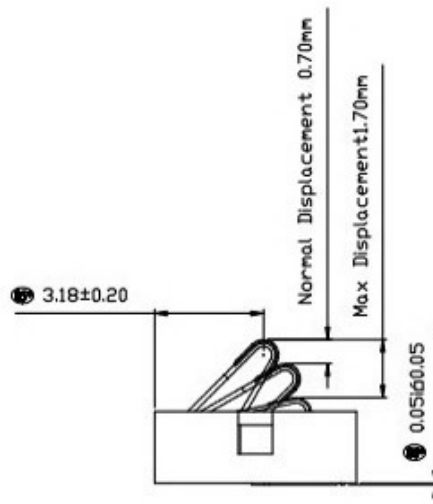
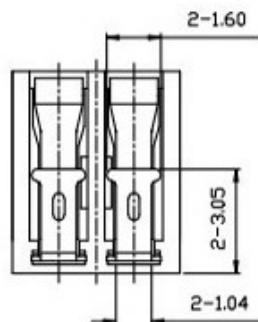
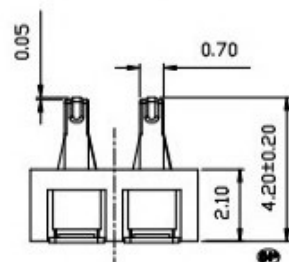
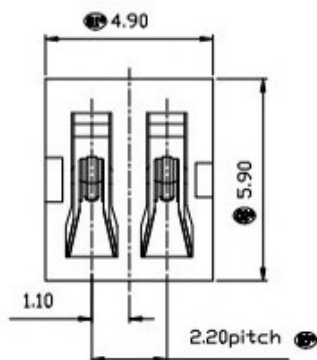
PLATED: GOLD PLATED

BASE NICKEL: 50μMIN

1.3 COVER: HIGH TEMP. THERMOPLASTIC+GLASS FIBRE

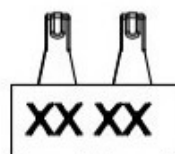
[UL 94V-0]; COLOR: BLACK

2. PACKAGE: TAPE/REEL



RECOMMENDED PC BOARD LAYOUT  
TOLERANCE: ±0.05[TOP VIEW]

印字规格



DATA CODE NO. ex. 0381

XX XX

YEAR  
ex. 3=03

WEEK  
ex. 51=51 week

△ PART NO:KS00470X3

1.Plating

0=3u"gold on contact area/  
1.5u" gold on solder area.  
3=15u"gold on contact area/  
1.5u" gold on solder area.



东莞市溪榜电子有限公司

COPYRIGHT RESERVED,PLEASE DO NOT COPY.

PART NAME		CONNECTOR		DRAWING		Y,C,ZHANG		DWG.No.		SBICL	
PART NO.				CHECK		G.C.Chen		REV.		A1	
UNIT :	TOLERANCE OTHERWISE	UP TO 5	±0.2	ANGLE	APPROVAL			DATE	22-09-2015	PAGE	1 OF 1
		ABOVE 5~30	±0.3								
mm		ABOVE 30	±0.5								
		ANGLE	±3'								