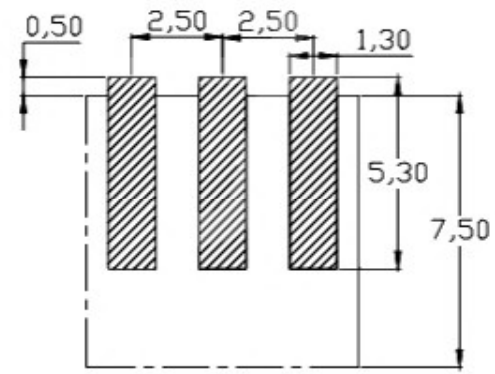
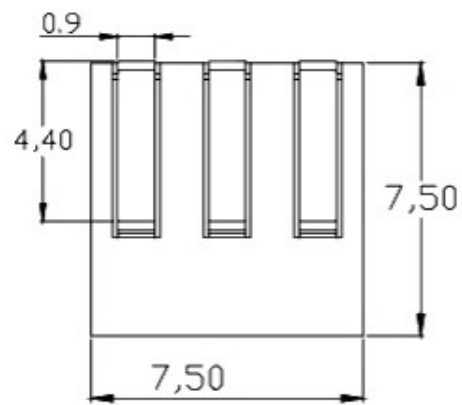
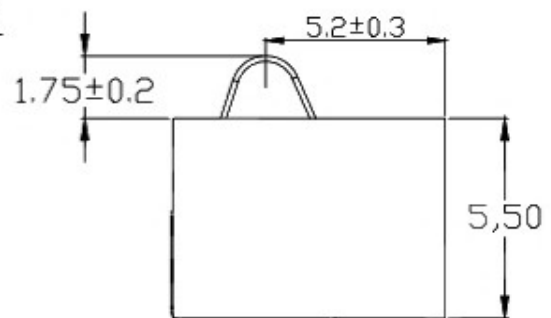
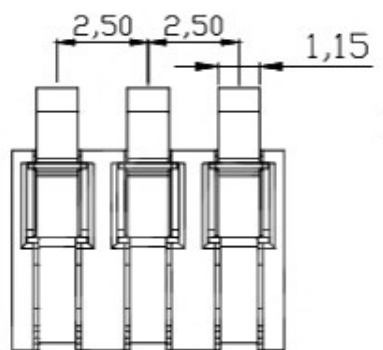
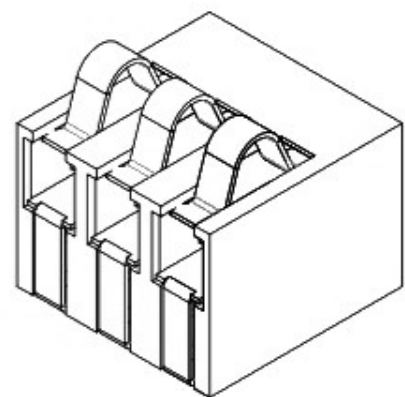
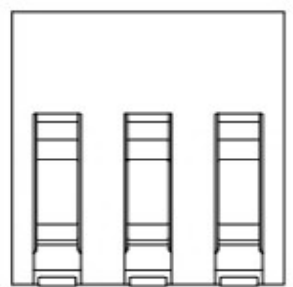


性能:

- 额定电流: 2.0A
- 额定电压: 12V
- 耐电压: 500V
- 接触电阻: 30mΩ
- 绝缘电阻: 500MΩ
- 工作温度: -40℃~+85℃
- 塑件(材质): LCP
- 接触点(材质): 磷铜, 镀金



RECOMMENDED PCB LAYOUT
TOP VIEW(. XX±0.05)

PART NAME		CONNECTOR		DRAWING		Y.C.ZHANG		DWG.No.		SBICL	
PART NO.				CHECK		G.C.Chen		REV.		A1	
UNIT :	TOLERANCE OTHERWISE	UP TO 5	±0.2	ANGLE	APPROVAL	SCALE	2:1	DATE	22-08-2018		
		ABOVE 5~30	±0.3						PAGE		
mm		ABOVE 30	±0.5	0°±3'				1 OF 1			