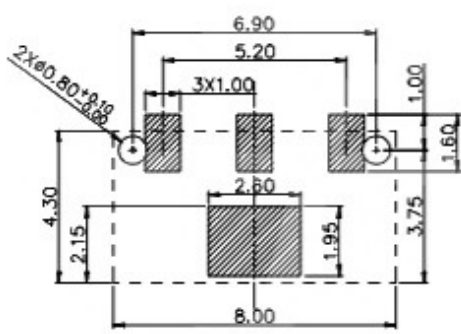
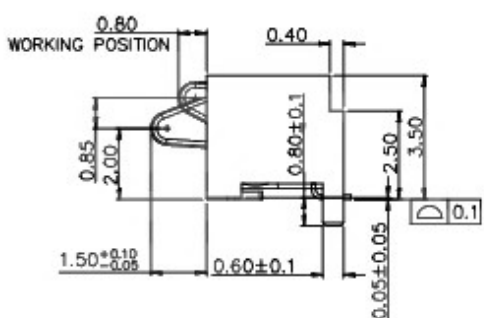
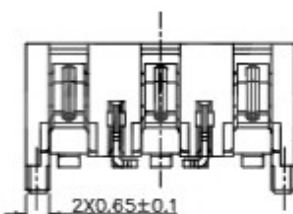
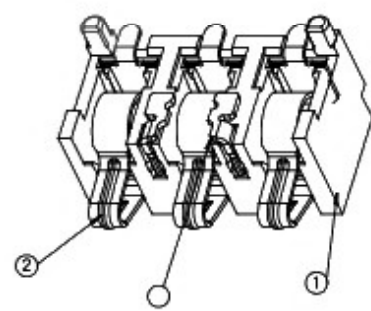
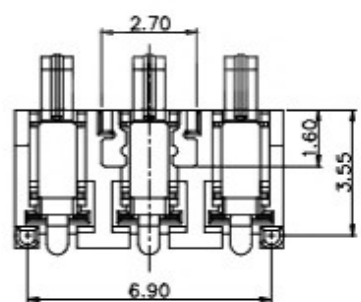


- NOTES:
- 1.ELECTRICAL PERFORMANCES:
    - 1-1. RATING CURRENT: 2A.
    - 1-2. RATING VOLTAGE: 250VAC.
    - 1-3. CONTACT RESISTANCE: 50mΩ
  - 2.MECHANICAL PERFORMANCE:
    - 2-1. DURABILITY: 5000TIMES.
    - 2-2. NORMAL FORCE AT MATING POSITION: 80g Min.
    - 2-3. OPERATION TEMPERATURE: -40°C~+85°C.



RECOMMENDED PCB LAYOUT  
THE TOLERANCE IS ±0.05



ITEM	DESCRIPTION	MATERIAL	FINISH
③	PAD	COPPER ALLOY	NI 50μ* MIN. PLATING OVER ALL TIN 50μ* MIN. PLATING OVER ALL
②	CONTACT	COPPER ALLOY	Au PLATING OVER NI 50μ* MIN. AT CONTACT AREA
①	HOUSING	THERMOPLASTIC UL94V-0 COLOR:BLACK	

PART NAME		CONNECTOR		DRAWING		Y,C,ZHANG		DWG.No.		SBICL	
PART NO.				CHECK		G.C.Chen		REV.		A1	
UNIT : mm	TOLERANCE	UP TO 5	±0.2	ANGLE	APPROVAL	SCALE	2:1	DATE		14-03-2017	
	OTHERWISE	ABOVE 5 ~ 30	±0.3					PAGE		1 OF 1	