

F

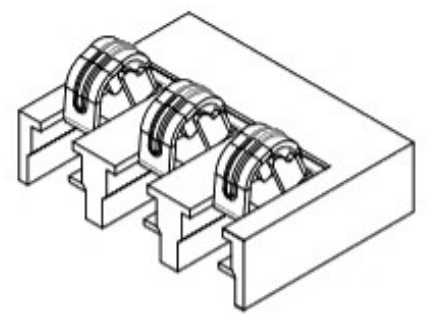
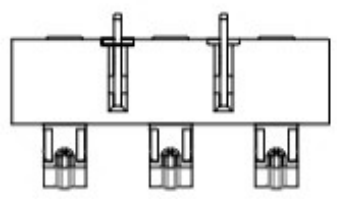
E

D

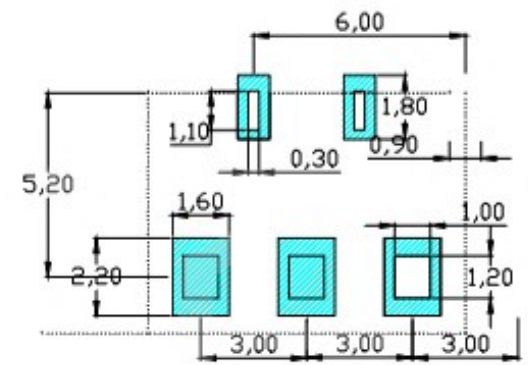
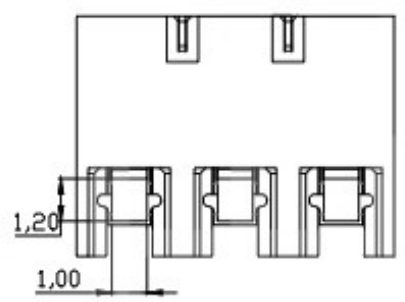
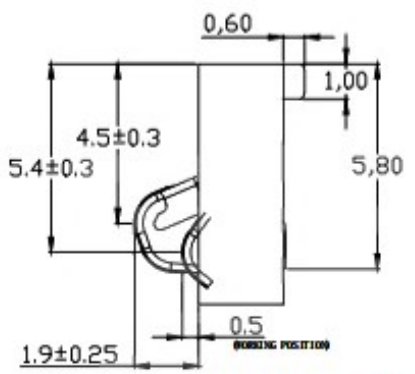
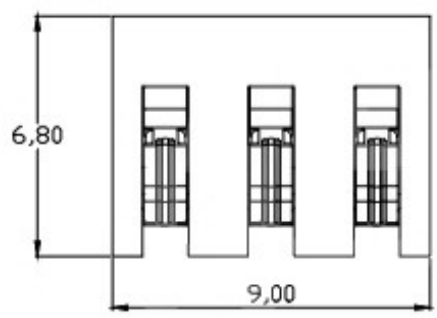
C

B

A



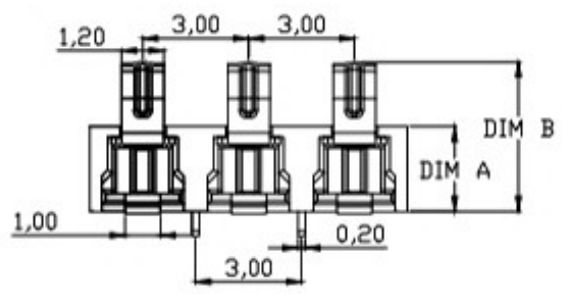
PART NO.	DIM A	DIM B
BC3P30H24-C06	2.4	4.30±0.25
BC3P30H35-C06	3.5	5.40±0.25



RECOMMENDED PCB LAYOUT
TOP VIEW (.XX±0.05)

性能:

- 额定电流: 3.0A
- 额定电压: 24V
- 耐电压: 500V
- 接触电阻: 30mΩ MAX
- 绝缘电阻: 500MΩ
- 工作温度: -40℃~+85℃
- 塑件(材质): LCP, 耐高温260℃
- 接触点(材质): 铜合金, 触点镀金3U



东莞市溪榜电子有限公司

COPYRIGHT RESERVED, PLEASE DO NOT COPY.

PART NAME		CONNECTOR		DRAWING	Y,C,ZHANG	DWG.No.	SBICL
PART NO.				CHECK	G.C.Chen	REV.	A1
UNIT :	TOLERANCE	UP TO 5	±0.2	APPROVAL		DATE	
	OTHERWISE	ABOVE 5~30	±0.3			SCALE	2:1
mm		ABOVE 30	±0.5				
		ANGLE	±3				

F

E

D

C

B

A