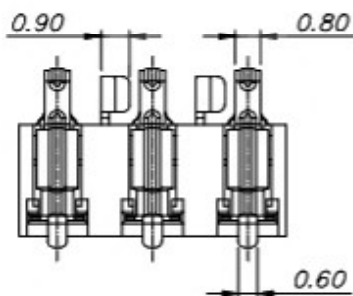
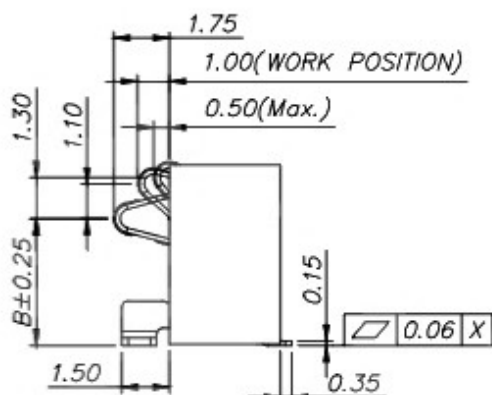
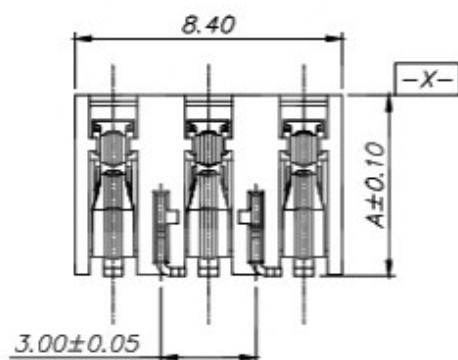


RECOMMENDED PCB LAYOUT
TOLERANCE ±0.05



BC3P30H65	6.50	4.80
BC3P30H62	6.20	4.50
BC3P30H60	6.00	4.30
BC3P30H57	5.70	4.00
BC3P30H54	5.40	3.70
WITHOUT POST P/N	DIM A	DIM B

NOTE:

1.MATERIAL:

- 1.1 HOUSING: HIGH TEMPRATURE THERMOPLASTIC, UL 94V-0 COLOR: BLACK.
- 1.2 TERMINAL : COPPER ALLOY
- 1.3 STATOR: COPPER ALLOY

2.PLATING:

- 2.1 CONTACT: NI UNDERPLATING OVER ALL GOLD FLASH ON CONTACT AREA TIN PLATED ON SOLDER TAIL AREA
- 2.2 STATOR: NI UNDERPLATING OVER ALL TIN PLATED ON STATOR



东莞市溪榜电子有限公司

COPYRIGHT RESERVED, PLEASE DO NOT COPY.

PART NAME		CONNECTOR		DRAWING	Y,C,ZHANG	DWG.No.	SBICL
PART NO.		BC3P30HXX		CHECK	G.C.Chen	REV.	A1
UNIT : mm	TOLERANCE OTHERWISE	UP TO 5	±0.2	APPROVAL		DATE	17-06-2008
		ABOVE 5~30	±0.3			PAGE	1 OF 1
		ABOVE 30	±0.5	SCALE	2:1		
		ANGLE	±3°				