

NOTES:

1.MATERIAL

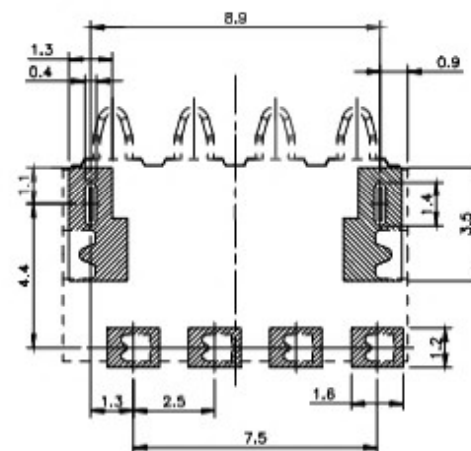
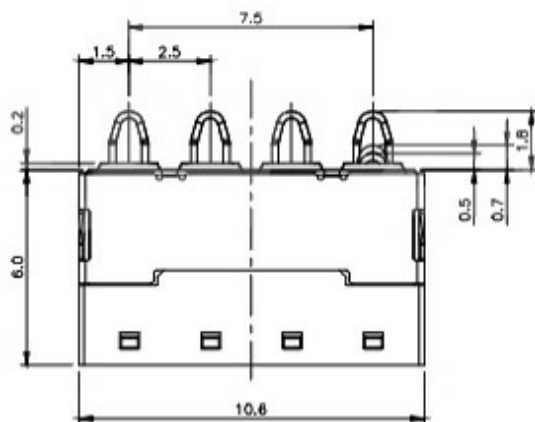
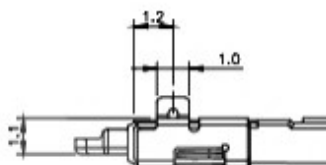
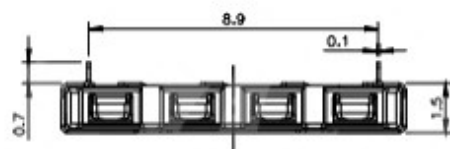
- 1-1 HOUSING:THERMOPLASTIC,UL 94V-0,COLOR:BLACK
- 2-2 CONTACT:COPPER ALLOY
- 3-3 SHELL:STAINLESS STEEL

2.FINISH

- 2-1 CONTACT: Gold Flash PLATING CONTACT AREA, TIN PLATING ON SOLDER AREA NICKEL UNDERPLATING OVER ALL
- 2-2 SHELL: Gold Flash PLATING ON SOLDER AREA NICKEL UNDERPLATING OVER ALL

3.PRODUCT SPECIFICATIONS:

- 3-1 VOLTAGE RATING:100V AC
- 3-2 CURRENT RATING: 3A
- 3-3 CONTACT RESISTANCE: 50 MILLIOHM MAX
- 3-4 OPERATION TEMPERATURE: -30 TO +80
- 3-5 DURABILITY: 2000 CYCLES
- 3-6 TENSION FORCE: 0.75mm STROKE 80gf MIN.



RECOMMEND PCB LAYOUT
GENERAL TOLERANCE ±0.05



东莞市溪榜电子有限公司

COPYRIGHT RESERVED,PLEASE DO NOT COPY.

PART NAME		CONNECTOR		DRAWING	Y,C,ZHANG	DWG.No.	SBICL
PART NO.				CHECK	G.C.Chen	REV.	A1
UNIT : mm	TOLERANCE	UP TO 5	±0.2	APPROVAL		DATE	08-12-2015
	OTHERWISE	ABOVE 5 ~30	±0.3			SCALE	2:1
		ABOVE 30	±0.5				
		ANGLE	±3°				