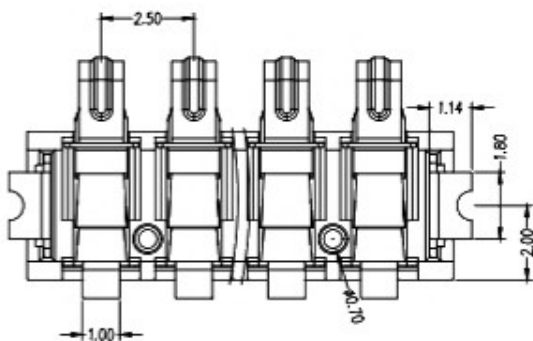
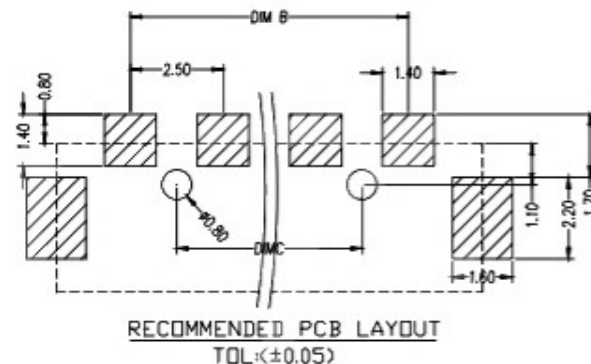
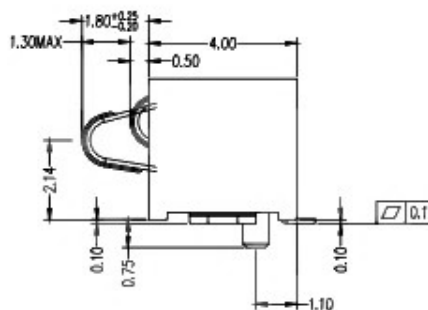
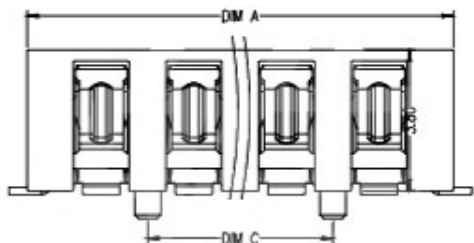
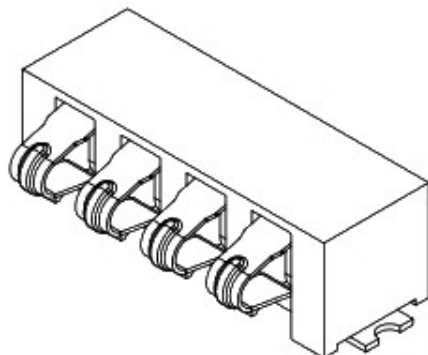
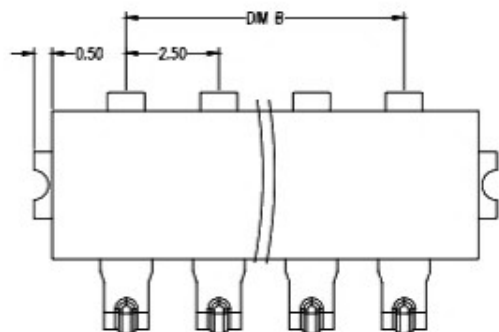



性能:

额定电流: 2.0A
 额定电压: 12V
 耐电压: 500V
 接触电阻: 30mΩ
 绝缘电阻: 500MΩ
 工作温度: -40℃~+85℃
 塑件(材质): LCP
 接触点(材质): 磷铜, 触点镀金3U"
 使用寿命: 3000次以上



PART NO.	DIM A	DIM B	DIM C
BC3P25H380D	9.0	5.0	2.5
BC4P25H380D	11.5	7.5	5.0
BC5P25H380D	14.0	10.0	7.5
BC6P25H380D	16.5	12.5	10.0

PART NAME		CONNECTOR		DRAWING		Y,C,ZHANG		DWG.No.		SBICL	
PART NO.				CHECK		G.C.Chen		REV.		A1	
	UNIT :	TOLERANCE OTHERWISE	UP TO 5	±0.2	ANGLE	APPROVAL		DATE		09-11-2018	
	mm		ABOVE 5 ~ 30	±0.3		0°±3'	SCALE		PAGE		1 OF 1
			ABOVE 30	±0.5		2:1					
			ANGLE	±0.3							