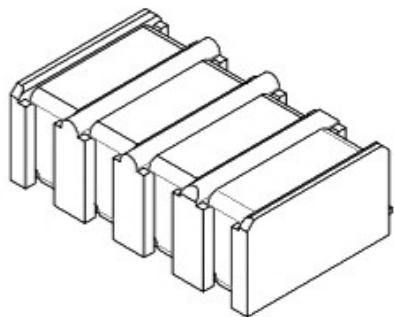



RECOMMENDED PCB LAYOUT  
TOP VIEW (.XX±0.05)



性能:

- 额定电流: 2.0A
- 额定电压: 12V
- 耐电压: 500V
- 接触电阻: 30mΩ MAX
- 绝缘电阻: 500MΩ
- 工作温度: -40℃~+85℃
- 使用寿命: 5000次以上
- 塑件(材质): LCP BLACK
- 接触点(材质): 黄铜C2680,  
接触面镀金3U, 焊脚镀金1U

PART NAME		CONNECTOR		DRAWING		Y,C,ZHANG		DWG.No.		SBICL	
PART NO.				CHECK		G.C.Chen		REV.		A1	
	UNIT :	TOLERANCE OTHERWISE	UP TO 5	±0.2	ANGLE	APPROVAL		DATE			
	mm		ABOVE 5~30	±0.3		σ±3	SCALE		PAGE		1 OF 1