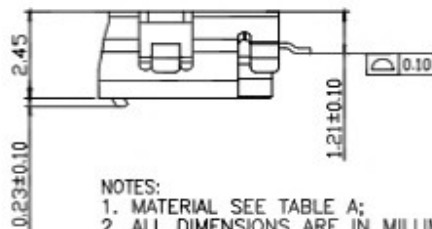
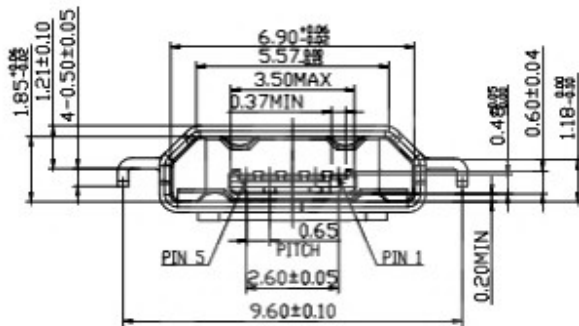


RECOMMENDED PCB LAYOUT
(GENERAL TOLERANCE ±0.05) (TOP VIEW)



NOTES:

- MATERIAL SEE TABLE A;
- ALL DIMENSIONS ARE IN MILLIMETERS;
- ELECTRICAL PERFORMANCES:
 - CURRENT RATING:
PIN2#,PIN3#&PIN4#: 1.0A MIN;
PIN1#&PIN5#:3.0A MIN;
(3.1.1 DDME 板上 PIN 1# 和 PIN 5# 走线宽度要求大于 3.0mm,
3.1.2 测试时 PIN 1# 和 PIN 5# 通过测试, 其他 PIN 不需要测试;
3.1.3 测试时充电线需要使用 22AWG);
 - INSULATION RESISTANCE:
1000 MIGA OHMS MIN. INITIAL AT 100 VDC;
100 MIGA OHMS MIN. AFTER TEST AT 100 VDC,
 - LOW LEVEL CONTACT RESISTANCE:
30 MILLI OHMS MAX. INITIAL;
- MECHANICAL PERFORMANCES:
 - STORAGE TEMPERATURE: -40°C TO +85°C;
 - OPERATING TEMPERATURE: -40°C TO +85°C;
 - INSERT FORCE: 0~25N;
 - EXTRACT FORCE: 8~25N;
 - MATING DURABILITY: 10000 CYCLES;
 - INSERT FORCE AND EXTRACT FORCE 10000 CYCLES IS FIT FOR THE USB SPECIFICATION;
- CONNECTOR LOCATION PROFILE;
- PIN SEE TABLE B;

TABLE B:

Contact Number	Signal Name	Typical Wiring Assignment
PIN 1	VBUS	Red
PIN 2	D-	White
PIN 3	D+	Green
PIN 4	ID	<Ra_PLUG_ID
PIN 5	GND	Black
SHELL	Shield	Drain Wire

TABLE A:

ITEM	NAME	Q'TY	MATERIAL / FINISH
3	SHELL	1	SUS304-1/2H,T=0.30MM SOLDERTAILS AREA PLATED Au 1u" UNDERPLATED NICKEL 50u"MIN.
2	CONTACT	5	NKC286-1/2H,T=0.15MM/50u"MIN NICKEL CONTACT AREA:15u"MIN.GOLD PLATING SOLDER TAIL:2u"MIN.GOLD PLATING
1	HOUSING	1	THERMOPLASTIC UL 94V-0 BLACK

PART NAME		CONNECTOR		DRAWING	Y,C,ZHANG	DWG.No.	SBICL
PART NO.		MICRO USB 5P SMT TYPE 斜口沉板 0.95		CHECK	G.C.Chen	REV.	A1
UNIT :	TOLERANCE	UP TO 5	±0.2	APPROVAL		DATE	
	OTHERWISE	ABOVE 5~30	±0.3				
mm		ABOVE 30	±0.5	SCALE	2:1	PAGE	1 OF 1
		ANGLE	±5°				