

特性:

一、电气性能: ELECTRICAL

1. 额定电流: 3.0A
2. 接触阻抗: 30 MILLIOHMS MAX
3. 耐电压: 150V AC / 1 mA MAX
4. 绝缘阻抗: 150V DC/100 MEGA OHMS MIN

二、机械性能:

1. 插入力: 5~20N
2. 拨出力: 8~20N
3. 使用寿命: 10000次、拔出力 6~20N

三、材料: MATERIAL

1. 塑胶: LCP E130I黑色 UL94V-0
2. 端子: C1814 T=0.20MM
3. 外壳: SUS304 T=0.30MM
4. 卡勾: SUS304 T=0.15MM

四、电镀: FINISH

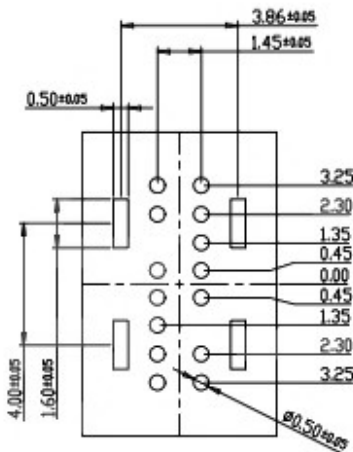
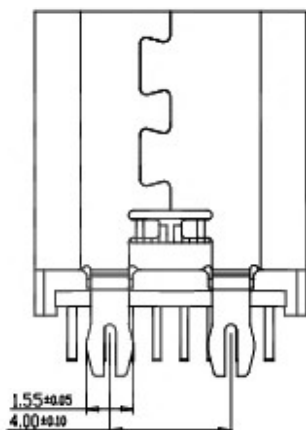
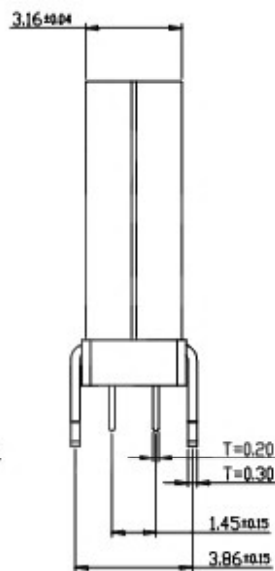
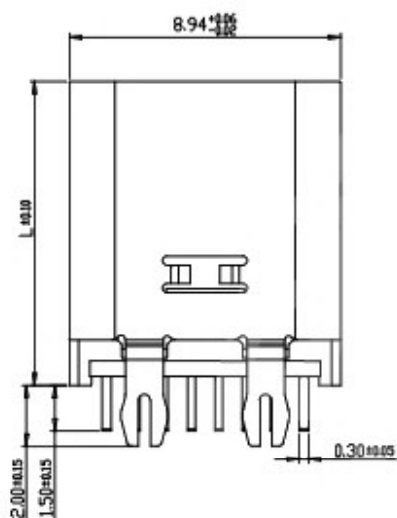
1. 端子: 接触点镀金1U\*MIN  
PIN脚焊接区域镀金1U\*MIN.
2. 外壳: 镀镍80U\*MIN (盐雾48H)

五、电镀品需做粘锡测试: 粘锡面积达到95%以上。

六、SMT回流焊(峰值260°C±5°C)不能起泡、熔胶、变色不良(变形在公差范围以内)

七、工作温度: -55°C~+85°C

八、盐雾测试: 通过48H在浓度为5±1%盐水的盐雾测试无生锈现象



RECOMMENDED P.C.B. LAYOUT (T:1.00mm)  
TOLERANCE UNSPECIFIED ±0.05mm

L = MM					
	10.00	10.50			

A1	GND	B12	GND
A4	VBUS	B9	VBUS
A5	CC1		
A6	IP1	B7	IN2
A7	IN1	B6	IP2
		B5	CC2
A9	VBUS	B4	VBUS
A12	GND	B1	GND
PIN	SIGNAL NAME	PIN	SIGNAL NAME

6	SHELL	STAINLESS STEEL	NI Plated	IPCS
5	SHIELDING PLATE	STAINLESS STEEL	---	IPCS
4	MD	HIGH TEMPERATURE PLASTIC	BLACK	IPCS
3	CONTACT	COPPER ALLOY	Au/Ni Plated	1SET
2	CONTACT	COPPER ALLOY	Au/Ni Plated	1SET
1	HOUSING	HIGH TEMPERATURE PLASTIC	BLACK	IPCS
NO.	DESCRIPTION	MATERIAL	REMARKS	QTY