

NOTES:

1.MATERIAL:

MOLDING: LCP UL94 V-0

CONTACT: COPPER ALLOY.

GOLD PLATED Min ON CONTACT AREA, 100u"

Min TIN (LEAD FREE) ON SOLDER AREA,

SHELL: SUS304-H,T=0.20±0.03mm

50u" NICKEL PLATING OVER ALL.

SHILD: SUS304-H,T=0.30±0.03mm

2.MECHANICAL:

INSERTION: 5~20N.

EXTRACTION: 8~20N AFTER TEST.

DURABILITY: 10000 CYCLES

3.ELECTRICAL:

CURRENT: 5A FOR VBUS;

1.25A FOR GND PIN.

0.25A FOR OTHER.

VOLTAGE: 20 V MAX

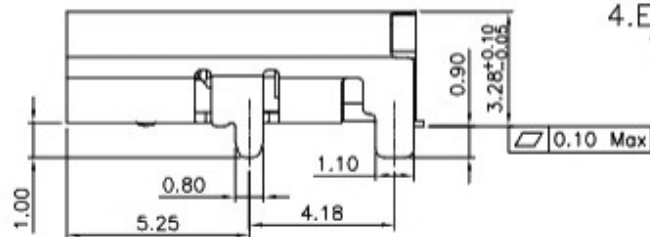
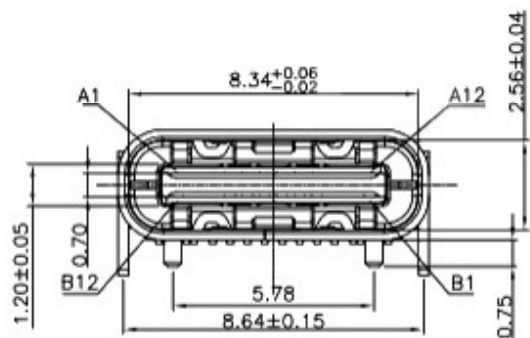
WITHSTANDING VOLTAGE: 100V AC R.M.S.

CONTACT RESISTANCE: 40mΩ MAX.

INSULATION RESISTANCE: 100MΩ MIN.

4.ENVIRONMENTAL

TEMPERATURE RANGE -25°C ~ +85°C



PART NAME	CONNECTOR		DRAWING	Y,C,ZHANG	DWG.No.	SBICL
PART NO.	TYPEC一體成型母座單排16PINL=10.0mm		CHECK	G.C.Chen	REV.	A1
UNIT : mm	TOLERANCE	UP TO 5 ±0.2 ABOVE 5~30 ±0.3 ABOVE 30 ±0.5 ANGLE ±3°	APPROVAL		DATE	
	OTHERWISE		SCALE	2:1	PAGE	1 OF 1