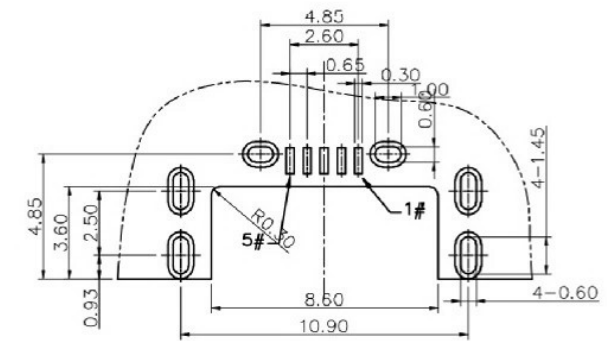
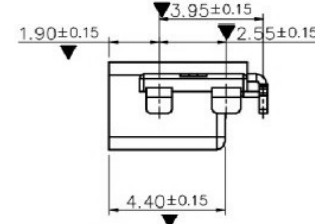
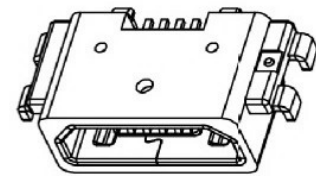
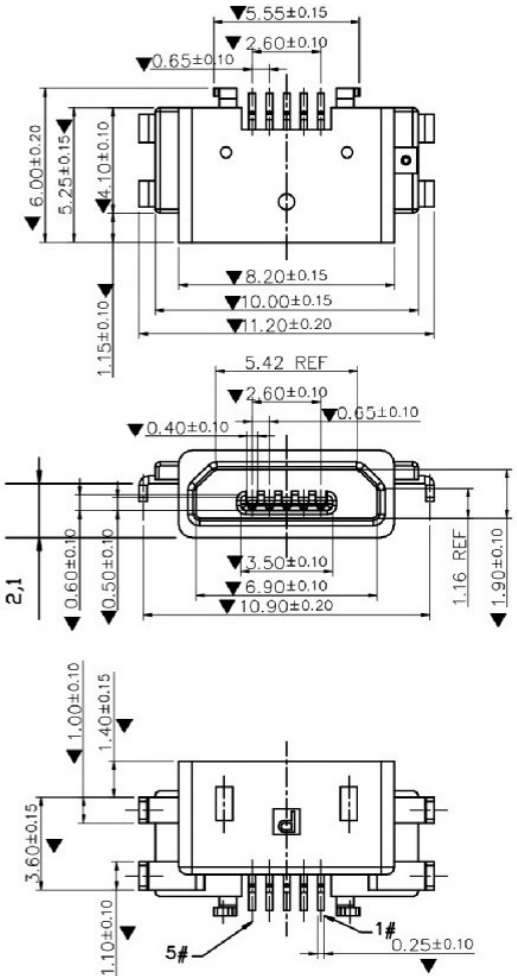
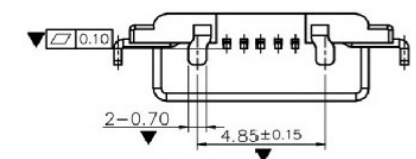


| | | |
|------|----------|-------|
| REV. | ECN. NO. | APPD. |
| | | |

A
B
C
D
E



P.C.B LAYOUT



| Contact Number | Signal Name | Remarks |
|----------------|-------------|------------------|
| 1# | VBUS | Power |
| 2# | D- | Date- |
| 3# | D+ | Date+ |
| 4# | ID | Reserve or Gound |
| 5# | GND | Gound |

NOTES:
SPECIFICATION:

1. CURRENT RATING: 3.0A MAX
2. DIELECTRIC WITHSTAND VOLTAGE: 100VAC
3. TEMPERATURE RANGE: -30 °C ~ 85 °C
4. CONTACT RESISTANCE: 40 MILLIONHM MAX
5. INSULATION RESISTANCE: 100 MEGOHMS MIN.
6. INSERTION FORCE :8N~35N
7. UNMATING FORCE: 8N~35N
8. DURABILITY:1500 CYCLES

| ITEM | PART NAME | Q'TY | FINISH | NOTE |
|------|---------------|------|--|------|
| 3 | Shell | 1 | SUS 301 1/4H | |
| 3 | PLASTIC Shell | 1 | PA9T&LCP (G.F30%) | |
| 2 | Contact | 4 | BRASS C2680-EH Au/Ni Plating T=0.25mm | |
| 1 | Housing | 1 | PA10T (G.F30%) | |

| | | | | |
|--|------------|--------------------|--------------------------|--------------------------------|
| X. ±0.50 | X* ±2* | 东莞市溪榜电子有限公司 | PART NO. | TITLE: IP68 |
| .X ±0.30 | .X* ±1* | | | |
| .XX ±0.10 | .XX* ±0.5* | | | |
| .XXX ±0.05 | | MAT'L | APPD: RADDM | DWG NO: USBMICROIPX7 |
| <small>THESE DRAWINGS AND SPECIFICATIONS ARE THE PROPERTY OF E-ZONE ELECTRONIC TECHNOLOGY CO.,LTD.AND SHALL NOT BE REPRODUCED, COPIED OR USED IN ANY MANNER WITHOUT THE PRIOR WRITTEN CONSENT OF E-ZONE ELECTRONIC TECHNOLOGY CO., LTD</small> | | FINISH | CHKD: MARK | SCALE SHEET REV. 1/1 1/2 A2 |
| | | Q'TY | DR: JANE CHOU 2019/07/11 | |