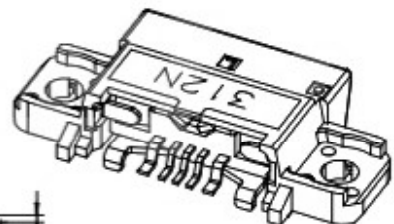
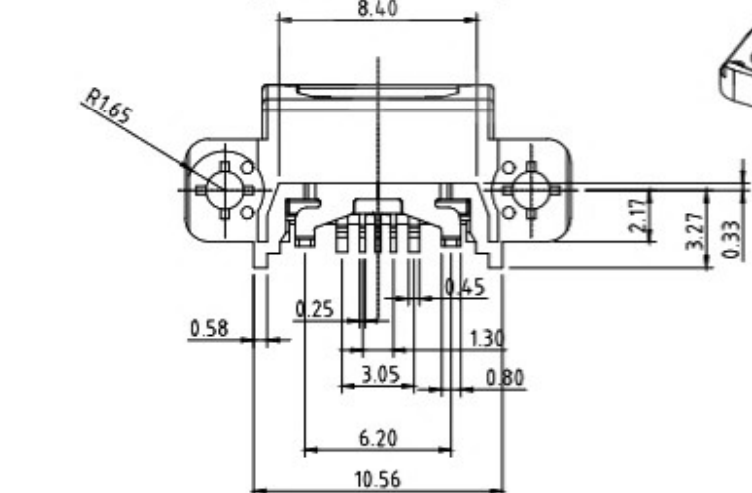
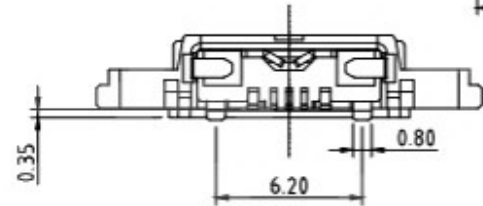
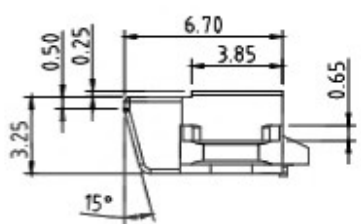
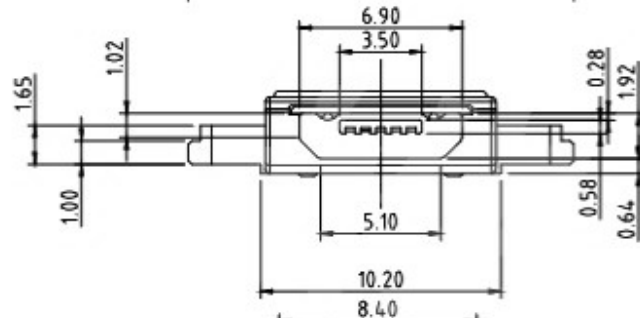


RECOMMEND PCB LAYOUT(TOP VIEW)  
GENERAL TOLERANCE ±0.05



- 1 CURRENT RATING: 0.5A(2.3.4CONTACT)/1.8A(1.5CONTACT) MAX.
- 2 VOLTAGE: 30 VAC
- 3 TEMPERATURE RANGE: -30 °C ~ 85 °C
- 4 CONTACT RESISTANCE: 30 MILLIONHM MAX.
- 5 DIELECTRIC WITHSTANDING VOLTAGE: 250 VAC r.m.s
- 6 INSULATION RESISTNACE: 100 MEGOHMS MIN

4	SHELL-2	STAINLESS STEEL T=0.30mm	NI Plated	1PCS
3	CONTACT	COPPER ALLOY T=0.15mm	Au/Ni Plated	1PCS
2	HOUSING	High temperature plastic	BLACK	1SET
1	SHELL-1	STAINLESS STEEL T=0.30mm	MATTE TIN/Ni Plated	1PCS
NO.	DESCRIPTION	MATERIAL	REMARKS	QTY

PART NAME		CONNECTOR		DRAWING	Y,C,ZHANG	DWG.No.	SBICL
PART NO.		MICRO USB 5P SMT TYPE 防全带锁孔(X20)		CHECK	G.C.Chen	REV.	A1
UNIT :	mm	TOLERANCE	UP TO 5 ±0.2	APPROVAL	SCALE	DATE	PAGE
		OTHERWISE	ABOVE 5~30 ±0.3			1 OF 1	
			ABOVE 30 ±0.5				
			ANGLE ±5°				