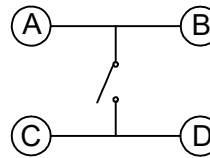
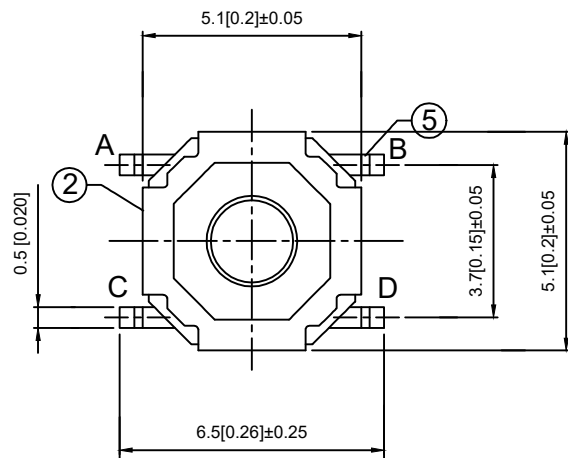
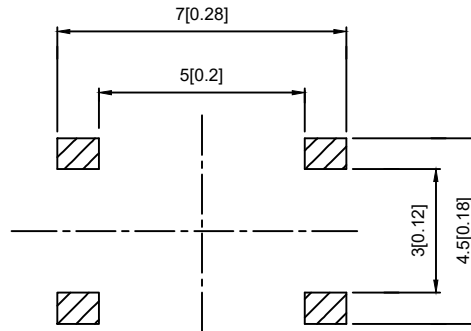


PCB LATOUT  
TOP VIEW



Code-x	H
A	1.5
B	1.6
C	1.7
D	2.0
E	2.5
F	3.0
G	3.5
H	4.0
I	4.5
J	5.0

PAPT NO	TS-1187A-X-X-X
Operating Force	A:100gf B:160gf C:260gf
Height	Code-x
Fixed column	A:PA46 B:Brass

**SPECIFICATION**

Contact Rating: 50mA, 12V DC  
 Contact Resistance: 100mΩ max  
 Insulation Resistance: 100mΩ min. 500V DC  
 Dielectric Strength: 250V AC/1minute  
 Travel: 0.25mm  
 Operating Temp: -30°C ~ +85°C  
 Storage Temp: -30°C ~ +80°C

ITEM	PAPT NAMF	TER,NO	QTY	MATERIAL	FINISHING	REMARK
⑤	Terminal	—	4	Brass (0.30t)	Plating silvering	—
④	Contact	—	1	F.ag/Sus	Natural	—
③	Base	—	1	Lcp	—	—
②	Cover	—	1	Sus	Plating Nickel	—
①	Keystake	—	1	Pa46/Brass	—	—

DSND	DATE	SCALE: N/A	MODEL TYPE: <b>TACT SWITCH</b>
DWN	DATE	VIEW:	PART NO.:
CHKD	DATE	UNIT: mm/in	DWG NO.: <b>TS-1187A-X-X-X</b>
APPD	DATE	SIZE: A4	WEIGHT: 1.0g
DONG GUAN XI BANG ELECTRONIC CO., LTD			SHEET: 1/1
UNSPECIFIED TOLERANCES			REVISION: A0

MARK	DESCRIPTION	REVISIONS	DATE	REVISED	APPROVED	units: mm
Δx						tolerance: X.X ±0.2mm
Δx						X.XX ±0.1mm
Δx						X.XXX ±0.05mm
						www.alpsr.com www.gdxjdz.com www.xbswitch.com