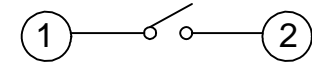
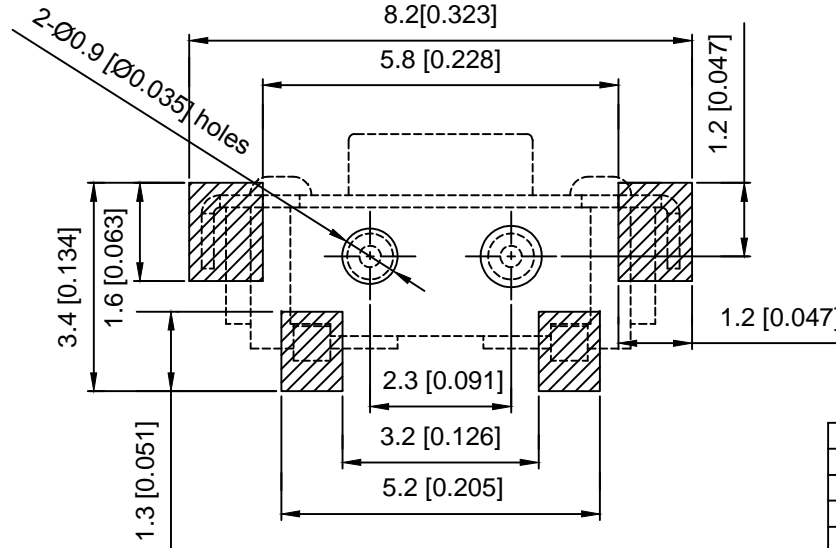
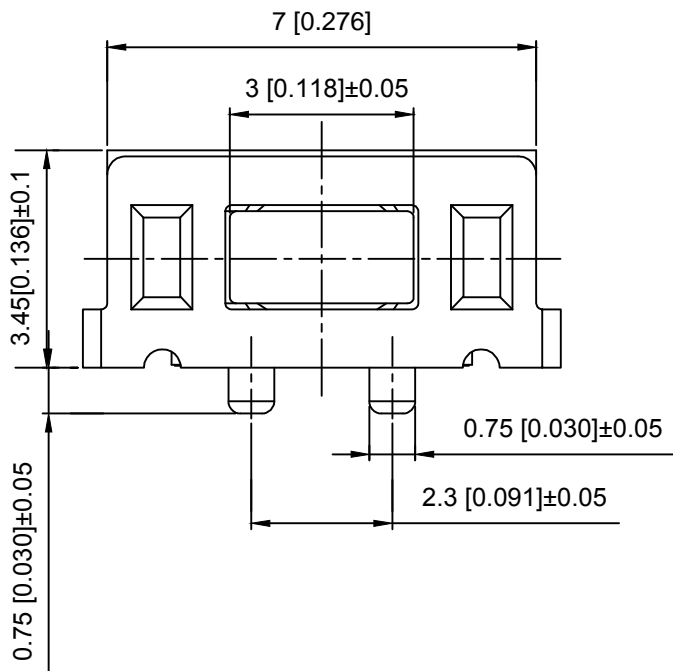


CIRCUIT DIAGRAM



SPECIFICATION

Contact Rating: 50mA, 12V DC
 Contact Resistance: 100mΩ max
 Insulation Resistance: 100MΩ min. 500V DC
 Dielectric Strength: 250V AC/1 minute
 Travel: 0.25mm
 Operating Temp: -25°C ~ + 70°C
 Storage Temp: -30°C ~ + 80°C



PAPT NO	TS-1101VS-X-X-A
Operating Force	A:100gf B:160gf C:260gf
Height	H:3.5
Fixed column	A:With B:without
Keystake	A:PA46 B:Silica gel

⑥	Terminal	—	2	Brass (0.30t)	ag Plated	—
④	Contact	—	1	F.ag/SUS		—
③	Base	—	1	PA46		—
②	Cover	—	1	Brass	Tin plated	—
①	Keystake	—	1	PA46		—
ITEM	PAPT NAMF	TER,NO	QTY	MATERIAL	FINISHING	REMARK

DSND	DATE	SCALE: N/A	MODEL TYPE:
DWN	DATE	VIEW:	TACT SWITCH
CHKD	DATE	UNIT: mm/in	PART NO.:
APPD	DATE	SIZE: A4	DWG NO.:
			TS-1101VS-X-X-A
		WEIGHT	SHEET
		1.0g	1/1
		REVISION	A0

units:	mm				
tolerance:					
ΔX	X.X ±0.2mm				
ΔX	X.XX ±0.1mm				
ΔX	X.XXX ±0.05mm				
MARK	DESCRIPTION	DATE	REVISED	APPROVED	UNSPECIFIED TOLERANCES
REVISIONS					
www.alpsr.com www.gdxdz.com www.xbswitch.com					

DONG GUAN XI BANG ELECTRONIC CO., LTD