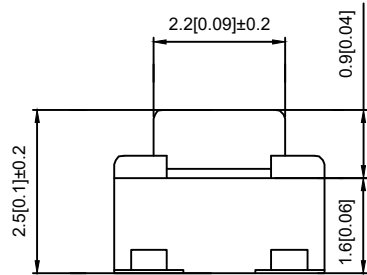
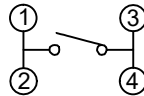


SPECIFICATION

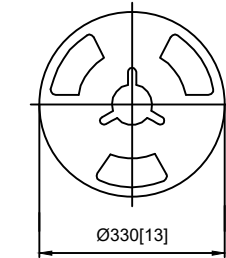
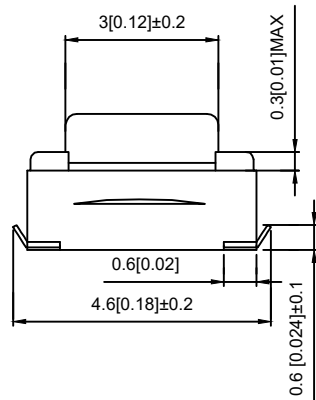
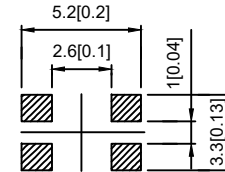
Contact Rating: 50mA,12V DC
 Contact Resistance: 100mΩ max
 Insulation Resistance: 100mΩ min.500V DC
 Dielectric Strength: 250V AC/1minute
 Travel: 0.20mm
 Operating Temp: -30°C~+85°C
 Storage Temp: -30°C~+80°C



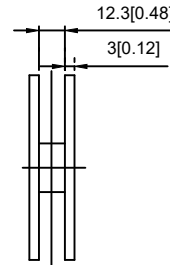
CIRCUIT DIAGRAM



PCB MOUNTING HOLES



PACKING PEEL TYPE 3000/1REEL(EA)



PAPT NO	TS-1145-X-A
Operating Force	A:100gf B:160gf C:260gf
Height	H:2.5
Keystake	A:PA46 B:Silica gel

ITEM	PAPT NAMF	TER,NO	QTY	MATERIAL	FINISHING	REMARK
⑤	Terminal	—	4	Brass (0.30t)	Plating silvering	—
④	Contact	—	1	F.ag/Sus	Natural	—
③	Base	—	1	LCP		—
②	Cover	—	1	Brass	Plating Nickel	—
①	Keystake	—	1	PA46		—

DSND		DATE		SCALE: N/A	MODEL TYPE: TACT SWITCH
DWN		DATE		VIEW:	PART NO.:
CHKD		DATE		UNIT: mm/in	DWG NO.:
APPD		DATE		SIZE: A4	TS-1145-X-A
DONG GUAN XI BANG ELECTRONIC CO., LTD				WEIGHT	SHEET
				1.0g	1/1
				REVISION	A0

MARK	DESCRIPTION	DATE	REVISED	APPROVED	UNSPECIFIED TOLERANCES
ΔX					units: mm
ΔX					tolerance: X.X ±0.2mm
ΔX					X.XX ±0.1mm
MARK					X.XXX ±0.05mm