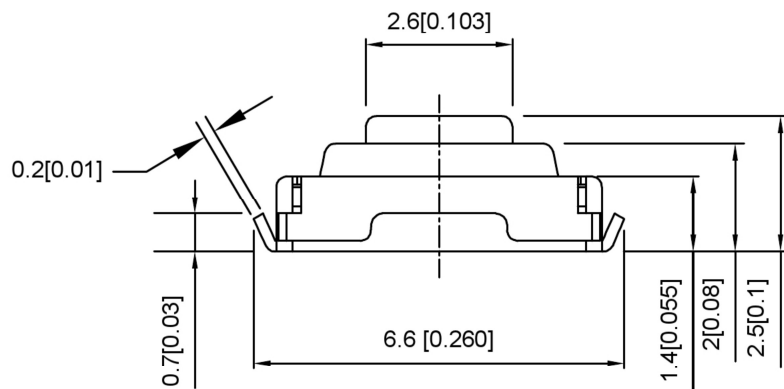
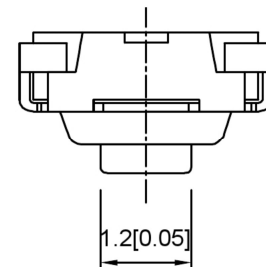


SPECIFICATION
 Contact Rating: 50mA,12V DC
 Contact Resistance: 100mΩ max
 Insulation Resistance: 100mΩ min.500V DC
 Dielectric Strength: 250V AC/1minute
 Travel: 0.25mm
 Operating Temp: -30°C~+85°C
 Storage Temp: -30°C~+80°C



| | |
|-----------------|-------------------------|
| PAPT NO | TS-1101A-X-X |
| Operating Force | A:100gf B:160gf C:260gf |
| Height | H:2.5 |
| color | B:black W:white R:Red |

| ITEM | PAPT NAMF | TER,NO | QTY | MATERIAL | FINISHING | REMARK |
|------|-----------|--------|-----|---------------|-------------------|--------|
| ⑤ | Terminal | — | 2 | Brass (0.30t) | Plating silvering | — |
| ④ | Contact | — | 1 | F.ag/Sus | Natural | — |
| ③ | Base | — | 1 | Lcp | | — |
| ② | Cover | — | 1 | Brass | Plating Nickel | — |
| ① | Keystake | — | 1 | Pa46 | | — |

| REVISIONS | | | | | UNSPECIFIED TOLERANCES | DSND | DATE | SCALE: N/A | MODEL TYPE: |
|-----------|-------------|------|---------|----------|------------------------|---------------------------------------|-------|-------------|--------------|
| ΔX | | | | | units: mm | DWN | DATE | VIEW: | TACT SWITCH |
| ΔX | | | | | tolerance: X.X ±0.2mm | CHKD | DATE | UNIT: mm/in | PART NO.: |
| ΔX | | | | | X.XX ±0.1mm | APPD | DATE | SIZE: A4 | DWG NO |
| MARK | DESCRIPTION | DATE | REVISED | APPROVED | X.XXX ±0.05mm | DONG GUAN XI BANG ELECTRONIC CO., LTD | | | TS-1101A-X-X |
| | | | | | | WEIGHT | SHEET | REVISION | |
| | | | | | | 1.0g | 1/1 | A0 | |