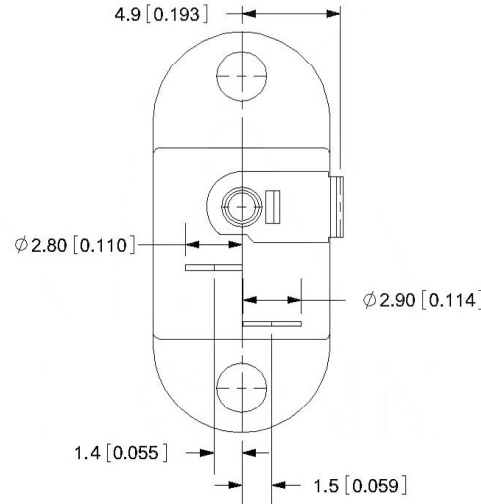
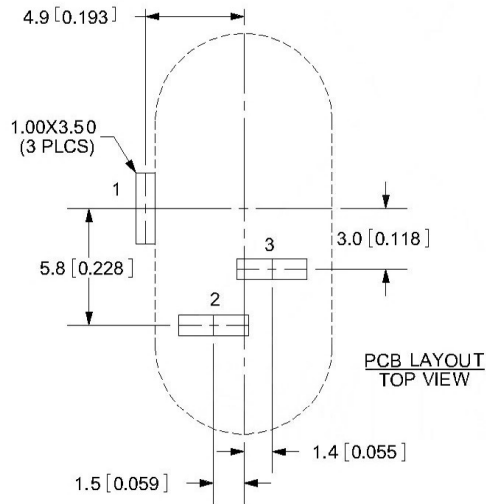


MATING PLUG
Jack Insertion Depth: 9.0 mm



SCHEMATIC	
Model	DC-017
Center Pin	Ø2.0 mm
	Ø2.5 mm

	MATERIAL	PLATING
center pin	Brass	tin
terminal 1	Brass	tin
terminal 2	Sus	tin
terminal 3	Brass	tin
plastic	Pbt	

MARK	DESCRIPTION	DATE	REVISED	APPROVED	UNSPECIFIED TOLERANCES
△X					ANGULAR ±5°
△X					X.X ±0.2mm
△X					X.XX ±0.1mm
					X.XXX ±0.05mm
REVISIONS					
www.switchsmt.com					

DSND		DATE		SCALE: N/A	MODEL TYPE: DC POWER JACK	
DWN		DATE		VIEW:	PART NO.:	
CHKD		DATE		UNIT: mm	DWG NO.:	
APPD		DATE		SIZE: A4	DC-017-2.5A-2.5	
				WEIGHT	SHEET	REVISION
				1.0g	1/1	A0