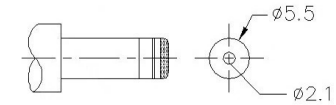
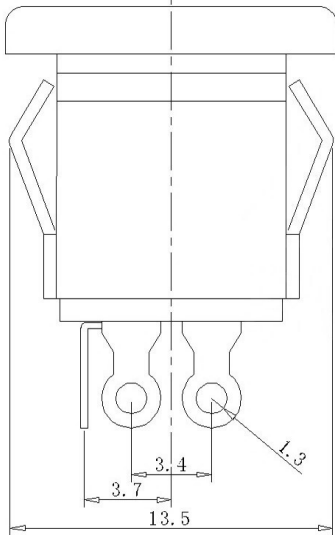
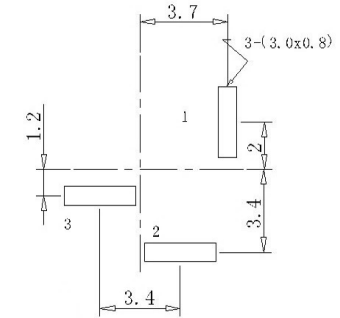


P.C.B LAYOUT



MATING PLUG  
Jack Insertion Depth: 9.15 mm

SCHEMATIC	
Model	DC-022K
Center Pin	ø2.0 mm
	ø2.5 mm

	MATERIAL	PLATING
center pin	Brass	tin
terminal 1	Brass	tin
terminal 2	Sus	tin
terminal 3	Brass	tin
plastic	Pbt	
cover	Pf	

MARK	DESCRIPTION	DATE	REVISED	APPROVED	UNSPECIFIED TOLERANCES
ΔX					ANGLAR ±5°
ΔX					X.X ±0.2mm
ΔX					X.XX ±0.1mm
					X.XXX ±0.05mm
REVISIONS					
www.switchsmt.com					

DSND	DATE	SCALE: N/A	MODEL TYPE:		
DWN	DATE	VIEW:	DC POWER JACK		
CHKD	DATE	UNIT: mm	PART NO.:		
APPD	DATE	SIZE: A4	DWG NO.: DC-022K-2.0		
			WEIGHT	SHEET	REVISION
			1.0g	1/1	A0