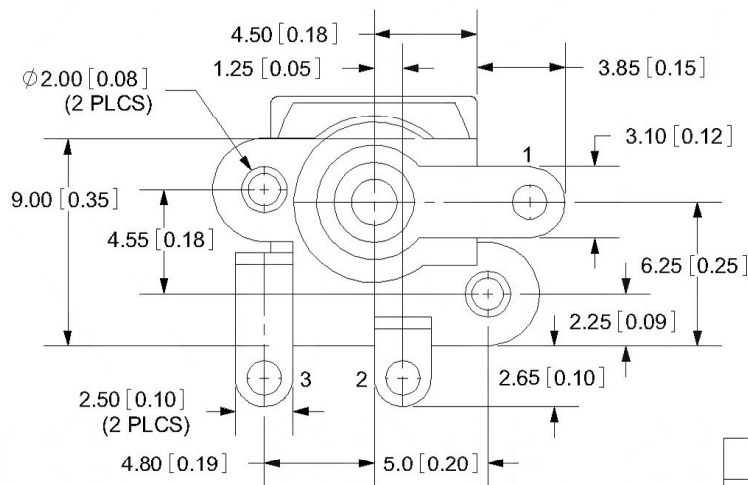
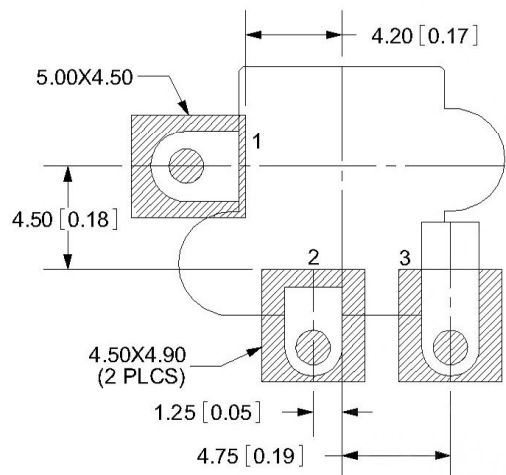


MATING PLUG
Jack Insertion Depth: 8.95mm



SCHEMATIC	
Model	DC-531
Center Pin	Ø2.0 mm
	Ø2.5 mm

	MATERIAL	PLATING
center pin	Brass	tin
terminal 1	Brass	tin
terminal 2	Phosphor Bronze	tin
terminal 3	Brass	tin
plastic	PA6T	

MARK	DESCRIPTION	DATE	REVISED	APPROVED	ANGLAR	±5°
ΔX					X.X	±0.2mm
ΔX					X.XX	±0.1mm
ΔX					X.XXX	±0.05mm
REVISIONS				UNSPECIFIED TOLERANCES		
www.switchsmt.com						

DSND		DATE		SCALE: N/A	MODEL TYPE: DC POWER JACK
DWN		DATE		VIEW:	PART NO.:
CHKD		DATE		UNIT: mm	DWG NO.:
APPD		DATE		SIZE: A4	DC-531-2.5
WEIGHT		SHEET		REVISION	
1.0g		1/1		A0	