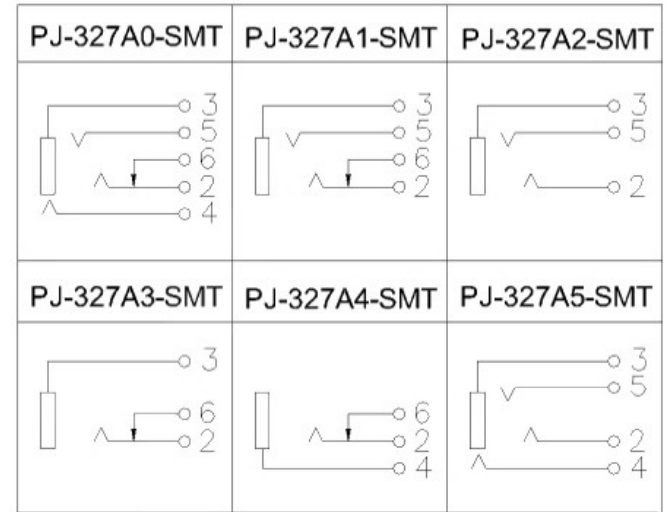
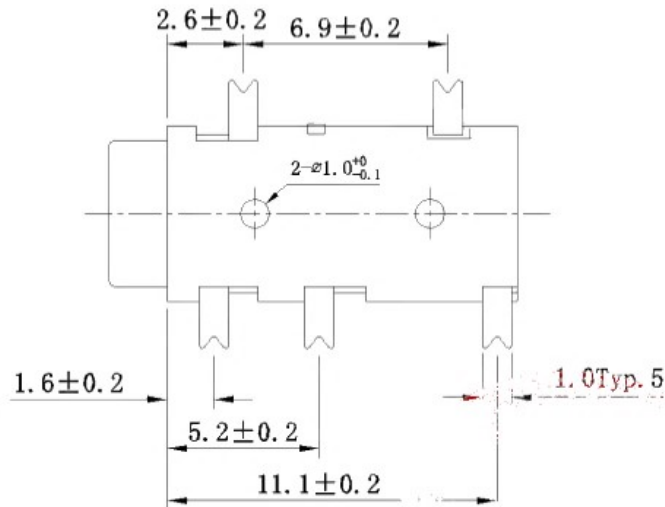
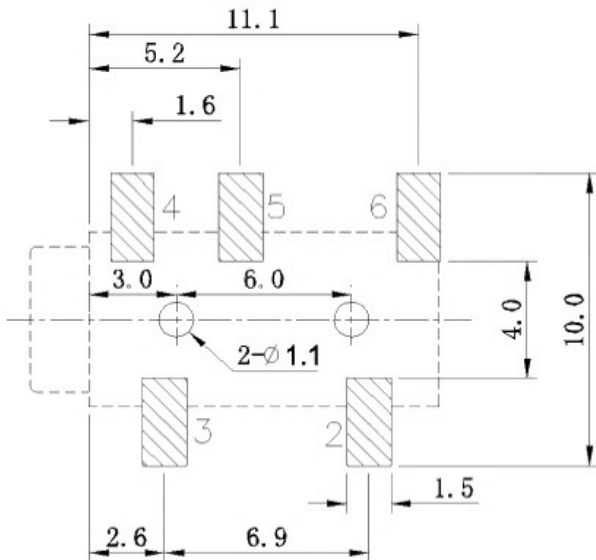


**P. C. B LAYOUT
TOP VIEW**



	MATERIAL	PLATING
terminal 2	Phosphor Bronze	Gold
terminal 3	Phosphor Bronze	Gold
terminal 4	Phosphor Bronze	Gold
terminal 5	Phosphor Bronze	Gold
terminal 6	Phosphor Bronze	Gold
plastic	High Temp. Thermoplastic	

MARK	DESCRIPTION	DATE	REVISED	APPROVED	ANGLAR	±5°
△ X					X.X	±0.2mm
△ X					X.XX	±0.1mm
△ X					X.XXX	±0.05mm
REVISIONS						
UNSPECIFIED TOLERANCES						

DSND		DATE		SCALE: N/A	MODEL TYPE: 3.5 PHONE JACK	
DWN		DATE		VIEW:	PART NO.:	
CHKD		DATE		UNIT: mm	DWG NO.:	
APPD		DATE		SIZE: A4		
				WEIGHT	SHEET	REVISION
				1.0g	1/1	A0