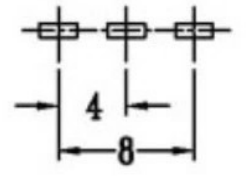
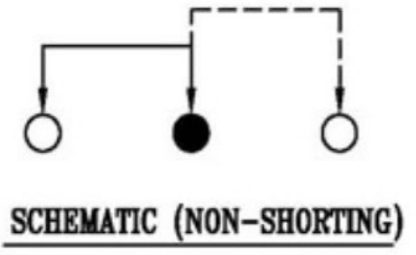
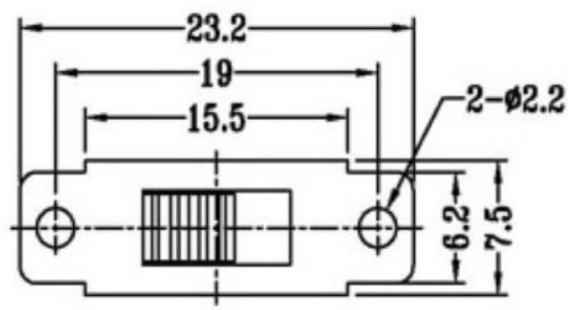
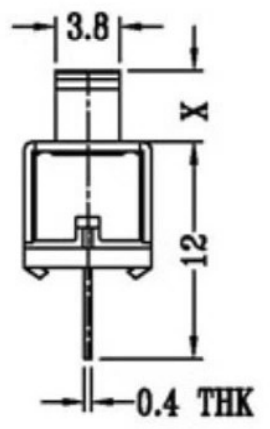
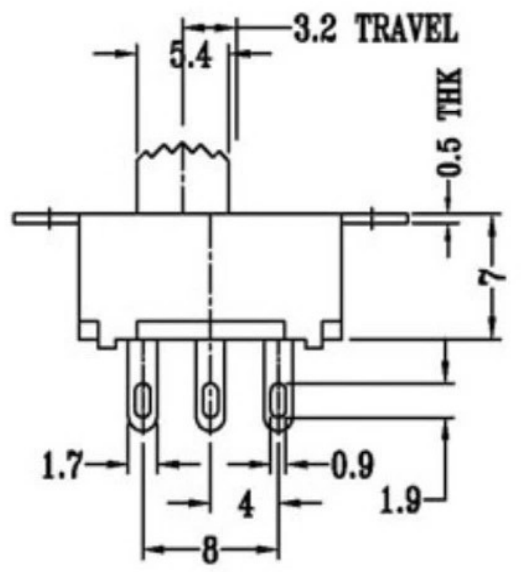


CAD FILE:



**P.C.B LAYOUT
BOTTOM VIEW**



X=2-13
单位: mm

注: "*"表示关键尺寸(6个)

NO.	PARTS	MATERIALS	Q'TY	FINISH	TOLERANCE UNLESS SPECIFIED				DESCRIPTIONS OF REVISION		APPD.	
8					WITHIN	A	2012-10-26	初版				
7	STEEL BALL	STEEL	1	NATURAL	OVER	ISSUE	DATE					
6	SPRING	STEEL WIRE	1	NATURAL	TITLE : VERTICAL SLIDE SWITCH					UNIT : mm	DRWG NO.:	
5	CONTACT CLIP	PBS STRIP	2	Ag PLATED	MODEL:					SCALE: 3:1	DWN.	2012-10-26
4	TERMINAL	BRASS STRIP	8	Ag PLATED	东莞市溪榜电子有限公司					CHK'D	2012-10-26	
3	BASE	PHENOLIC RESIN	1	NATURAL						APPD.		
2	FRAME	STEEL STRIP	1	Ni PLATED								
1	KNOB	POM	1	BLACK								