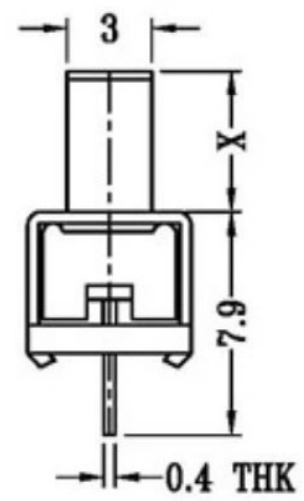
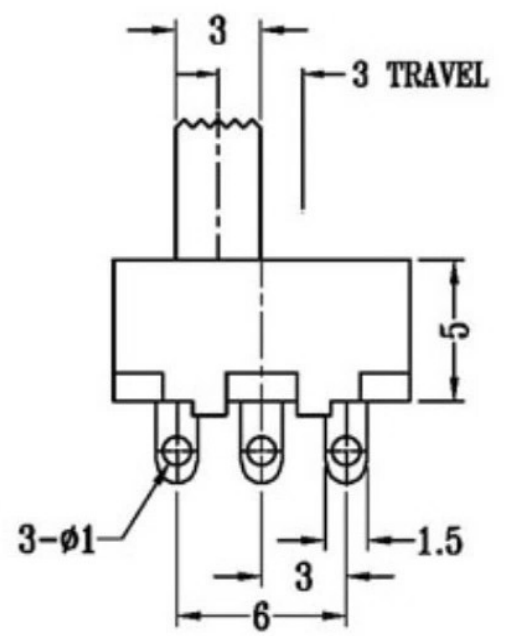
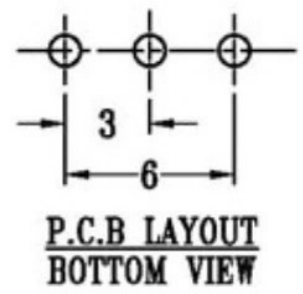
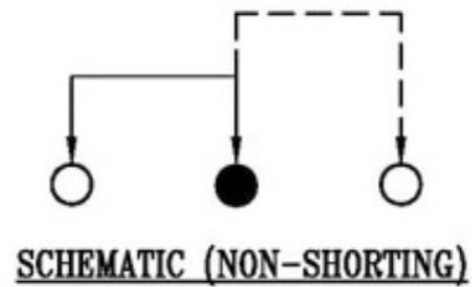
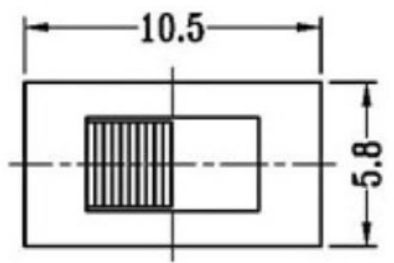




CAD FILE:



注: "*"表示关键尺寸(6个)

NO.	PARTS	MATERIALS	Q'TY	FINISH	TOLERANCE UNLESS SPECIFIED				DESCRIPTIONS OF REVISION		APPD.
8					WITHIN	A	2012-10-26	初版			
7	STEEL BALL	STEEL	1	NATURAL	OVER	ISSUE	DATE				
6	SPRING	STEEL WIRE	1	NATURAL	TITLE : VERTICAL SLIDE SWITCH					UNIT : mm	DRWG NO.:
5	CONTACT CLIP	PBS STRIP	2	Ag PLATED	MODEL:					SCALE: 3:1	
4	TERMINAL	BRASS STRIP	8	Ag PLATED	东莞市溪榜电子有限公司					DWN.	2012-10-26
3	BASE	PHENOLIC RESIN	1	NATURAL						CHK'D	
2	FRAME	STEEL STRIP	1	Ni PLATED						APPD.	2012-10-26
1	KNOB	POM	1	BLACK							