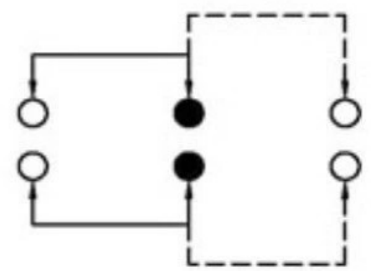
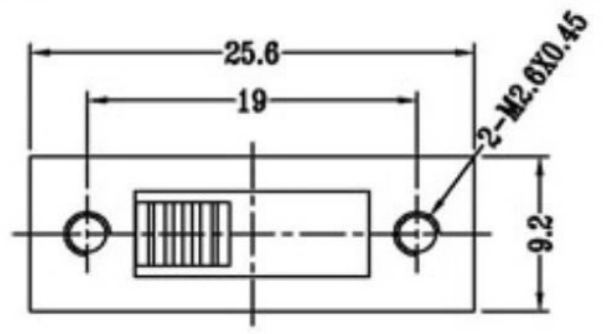
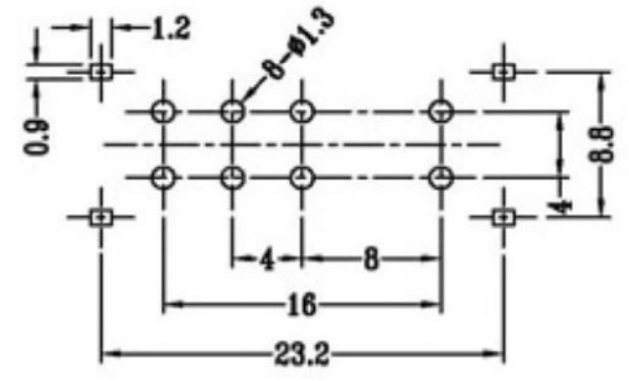
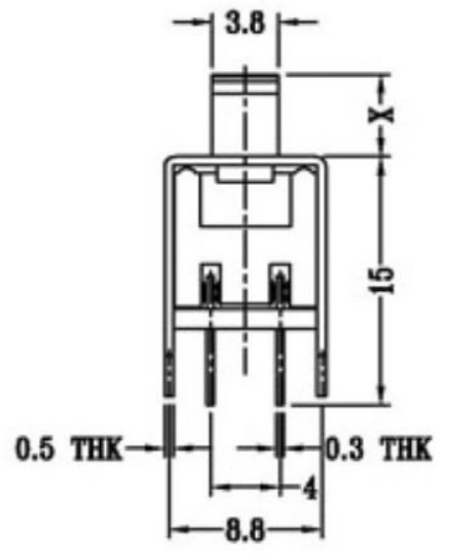
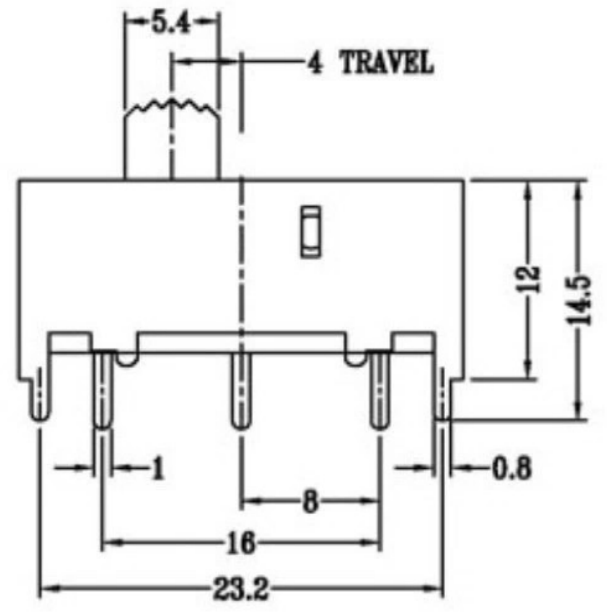


CAD FILE:



SCHEMATIC (NON-SHORTING)

X=3-12
单位: mm



**P.C.B LAYOUT
BOTTOM VIEW**

注: "*"表示关键尺寸(6个)

| NO. | PARTS | MATERIALS | Q'TY | FINISH | TOLERANCE UNLESS SPECIFIED | | ISSUE DATE | | DESCRIPTIONS OF REVISION | | APPD. |
|-----|--------------|----------------|------|-----------|-------------------------------|--|------------|------------|--------------------------|--|------------|
| 8 | | | | | | | | | | | |
| 7 | STEEL BALL | STEEL | 1 | NATURAL | WITHIN | | A | 2012-10-26 | 初版 | | |
| 6 | SPRING | STEEL WIRE | 1 | NATURAL | OVER | | ISSUE | DATE | DESCRIPTIONS OF REVISION | | APPD. |
| 5 | CONTACT CLIP | PBS STRIP | 2 | Ag PLATED | TITLE : VERTICAL SLIDE SWITCH | | UNIT : mm | | DRWG NO.: | | |
| 4 | TERMINAL | BRASS STRIP | 8 | Ag PLATED | MODEL: | | SCALE: 3:1 | | DWN. | | 2012-10-26 |
| 3 | BASE | PHENOLIC RESIN | 1 | NATURAL | 东莞市溪榜电子有限公司 | | | | CHK'D | | 2012-10-26 |
| 2 | FRAME | STEEL STRIP | 1 | Ni PLATED | | | | | APPD. | | |
| 1 | KNOB | POM | 1 | BLACK | | | | | | | |