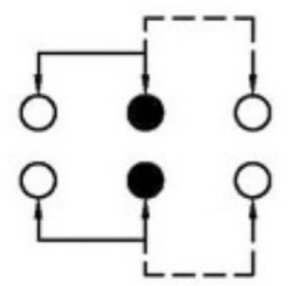
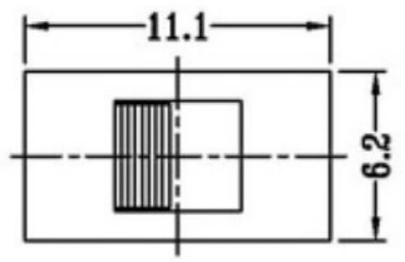
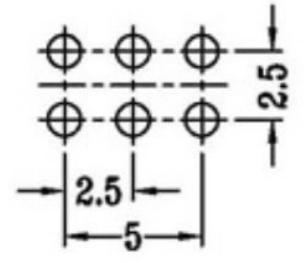




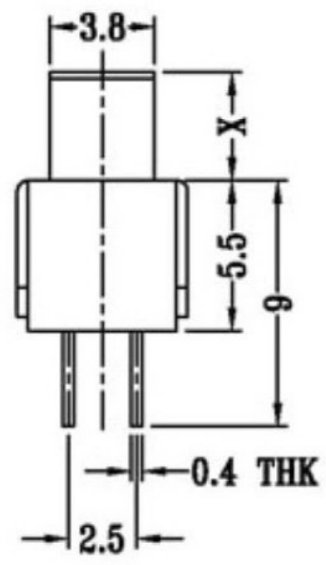
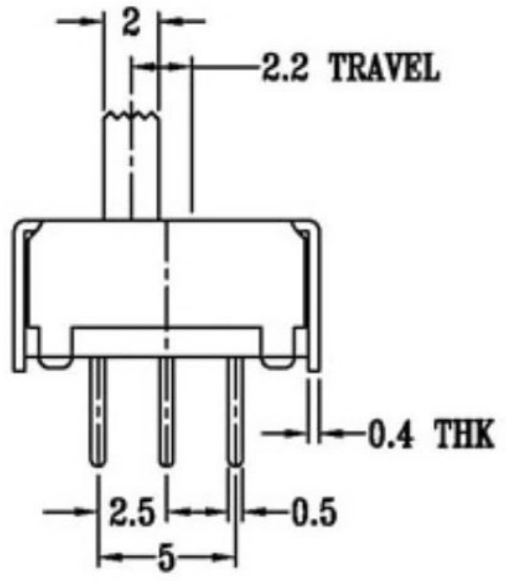
CAD FILE:



SCHEMATIC (NON-SHORTING)



P.C.B LAYOUT
BOTTOM VIEW



X=2-10
单位: mm

注: "*"表示关键尺寸(6个)

NO.	PARTS	MATERIALS	Q'TY	FINISH	TOLERANCE UNLESS SPECIFIED		ISSUE		DATE		DESCRIPTIONS OF REVISION		APPD.
8													
7	STEEL BALL	STEEL	1	NATURAL	WITHIN		A	2012-10-26		初版			
6	SPRING	STEEL WIRE	1	NATURAL	OVER		ISSUE	DATE		DESCRIPTIONS OF REVISION		APPD.	
5	CONTACT CLIP	PBS STRIP	2	Ag PLATED	TITLE : VERTICAL SLIDE SWITCH				UNIT : mm		DRWG NO.:		
4	TERMINAL	BRASS STRIP	8	Ag PLATED	MODEL:				SCALE: 3:1		DWN.	2012-10-26	
3	BASE	PHENOLIC RESIN	1	NATURAL	东莞市溪榜电子有限公司				SCALE: 3:1		CHK'D	2012-10-26	
2	FRAME	STEEL STRIP	1	Ni PLATED							APPD.		
1	KNOB	POM	1	BLACK									