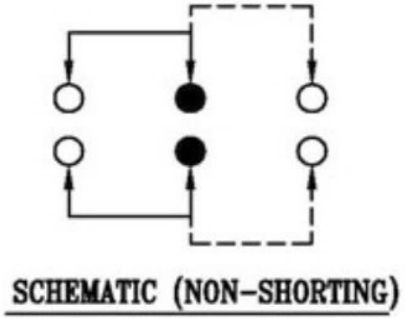
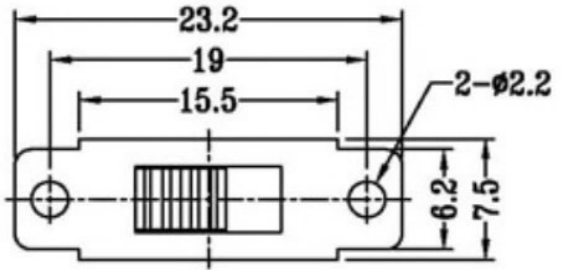
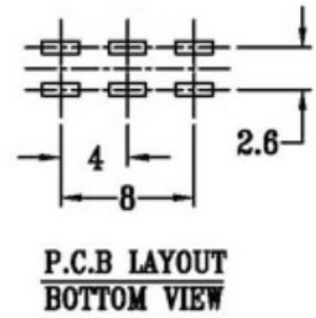
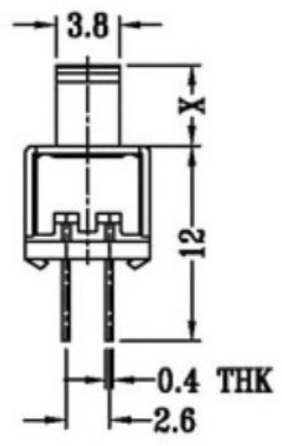
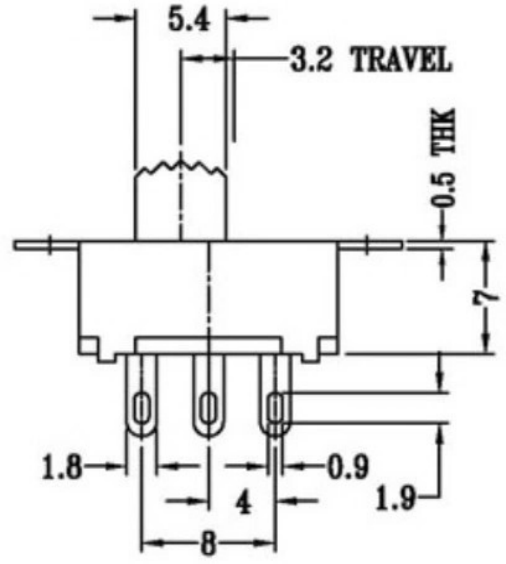




CAD FILE:



X=2-13  
单位: mm



P.C.B LAYOUT  
BOTTOM VIEW

注: "\*"表示关键尺寸(6个)

NO.	PARTS	MATERIALS	Q'TY	FINISH	TOLERANCE		ISSUE		DATE		DESCRIPTIONS OF REVISION		APPD.
8					UNLESS SPECIFIED		A		2012-10-26		初版		
7	STEEL BALL	STEEL	1	NATURAL	WITHIN		ISSUE		DATE		DESCRIPTIONS OF REVISION		APPD.
6	SPRING	STEEL WIRE	1	NATURAL	OVER								
5	CONTACT CLIP	PBS STRIP	2	Ag PLATED									
4	TERMINAL	BRASS STRIP	8	Ag PLATED									
3	BASE	PHENOLIC RESIN	1	NATURAL									
2	FRAME	STEEL STRIP	1	Ni PLATED									
1	KNOB	POM	1	BLACK									
					TITLE : VERTICAL SLIDE SWITCH				UNIT : mm		DRWG NO.:		
					MODEL:				SCALE: 3:1		DWN.		
					东莞市溪榜电子有限公司						2012-10-26		
											CHK'D		
											APPD.		
											2012-10-26		