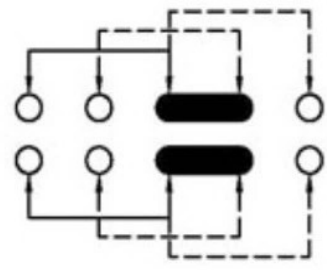
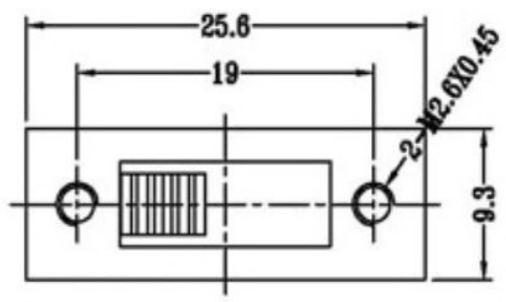


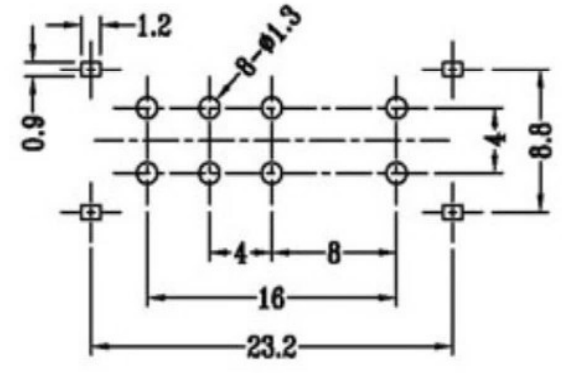
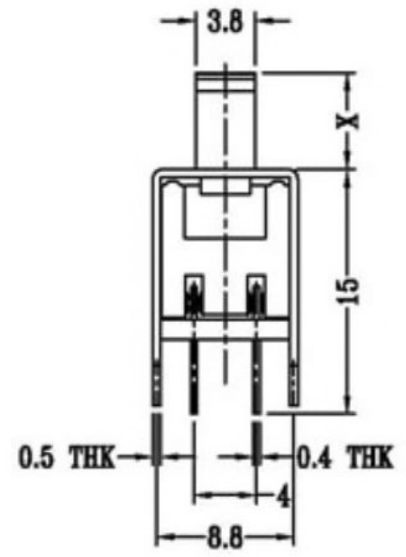
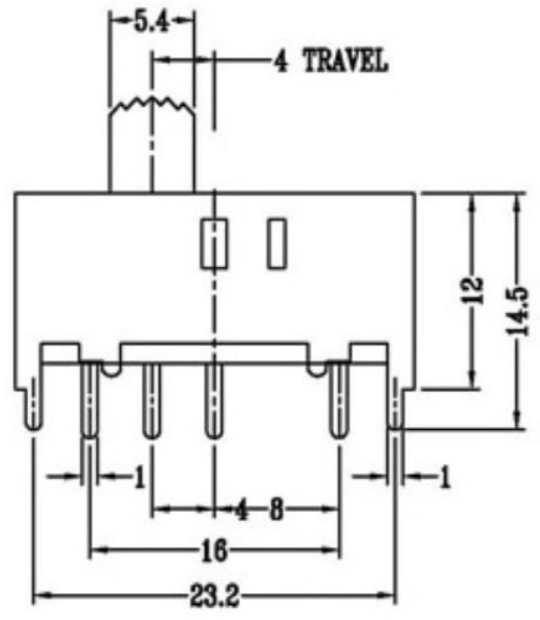


CAD FILE:



SCHMATIC (SHORTING)

X=3-13
单位: mm



**P.C.B LAYOUT
BOTTOM VIEW**

注: "*"表示关键尺寸(6个)

8					TOLERANCE					
7	STEEL BALL	STEEL	1	NATURAL	UNLESS SPECIFIED					
6	SPRING	STEEL WIRE	1	NATURAL	WITHIN	A	2012-10-26	初版		
5	CONTACT CLIP	PBS STRIP	2	Ag PLATED	OVER	ISSUE	DATE	DESCRIPTIONS OF REVISION		
4	TERMINAL	BRASS STRIP	8	Ag PLATED	TITLE : VERTICAL SLIDE SWITCH			UNIT : mm	DRWG NO.:	
3	BASE	PHENOLIC RESIN	1	NATURAL	MODEL:			SCALE: 3:1	DWN.	2012-10-26
2	FRAME	STEEL STRIP	1	Ni PLATED	东莞市溪榜电子有限公司			APPD.		2012-10-26
1	KNOB	POM	1	BLACK				APPD.		
NO.	PARTS	MATERIALS	Q'TY	FINISH						