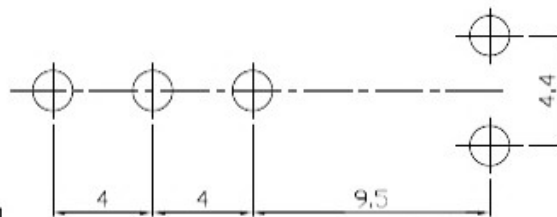


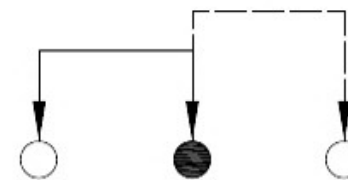
MODEL CODE

D3-12E21 - GDN

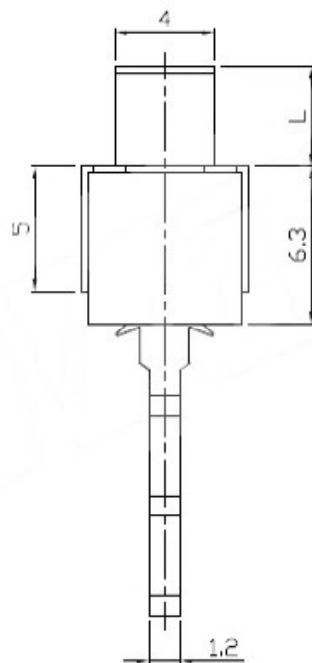
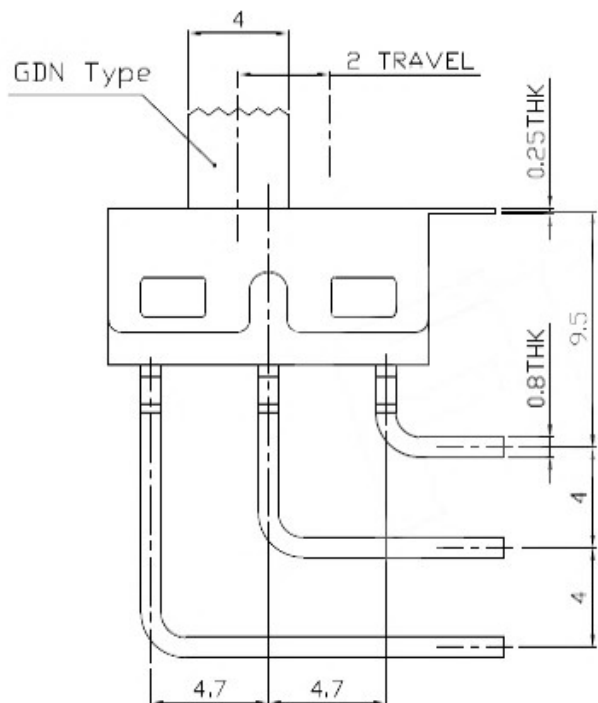
Knob Type	L(mm)
GDN	~



P.C.B LAYOUT
BOTTOM VIEW



CIRCUIT DIAGRAM



ELECTRO-MECHANICAL CHARACTERISTICS

Refer to additional specifications

RATING	AC 125V OR 28V DC 3A
CIRCUIT	1P2T
CONTACT RESISTANCE	100mΩ MAX.
TIMING	NON-SHORTING
TRAVEL	2mm
OPERATING FORCE	350±100gf
OPERATING LIFE(cycles)	10,000

NO.	PARTS	MATERIAL	Q'TY	FINISHING
8				
7	SPRING	SUS	1	
6	SPRING PLATE	PBS	1	Ag PLATED
5	COVER	SUS	1	WASHING
4	CONTACT FOOT	BRASS	3	Ag PLATED
3	BAR	PA66	1	RED
2	KONB	PA66	1	BLACK
1	CASE	PA9T	1	RED



东莞市溪榜电子有限公司

标记 DING	次数 FREQUENCY	更改文件号 REVISION	签名 APPROVED	日期 DATE	比例 SCALE	1:1	第一视角 FIRST VIEW	一般公差 GENERAL TOLERANCE	名称/NAME: SLIDE SWITCH 拨动开关
设计	DESIGN	Zhenming.Chen		2017.05.17	单位	mm		>0.5~2 ±0.10	
审核	CHECKED	Hu.li		2017.05.17	重量			>2~5 ±0.25	
批准	APPROVED	Jinzhou.Wang		2017.05.17				>5~10 ±0.30	
								角度 ANGLE ±0.5°	