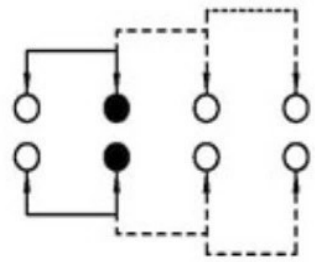
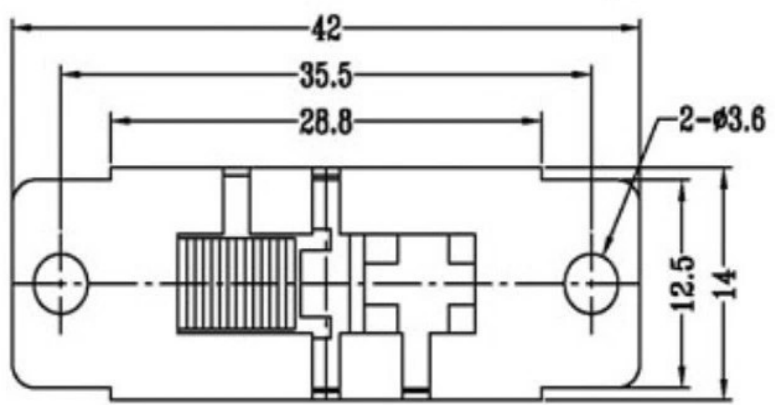
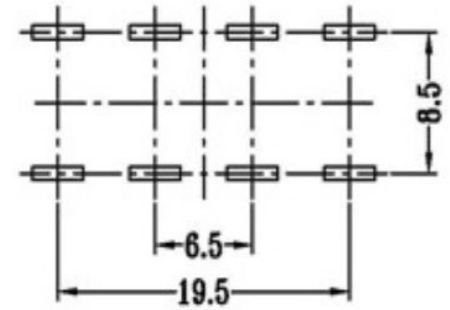
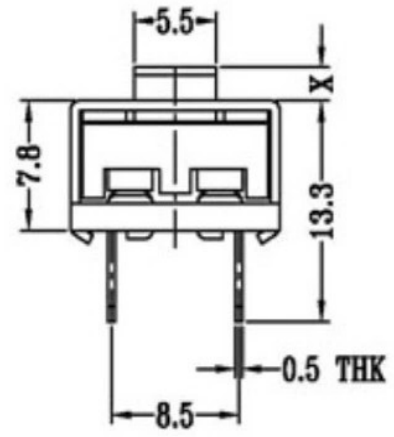
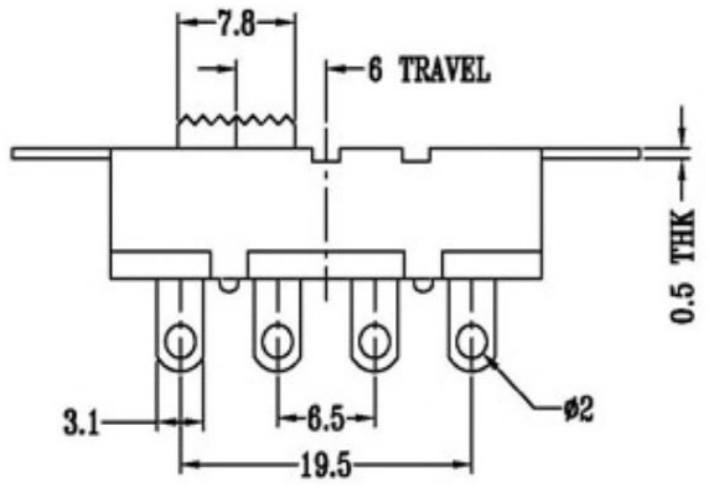


CAD FILE:



SCHEMATIC (NON-SHORTING)

X=2-15
单位: mm



P.C.B LAYOUT
BOTTOM VIEW

注: "*"表示关键尺寸(6个)

NO.	PARTS	MATERIALS	Q'TY	FINISH	TOLERANCE UNLESS SPECIFIED				DRWG NO.:			
8					WITHIN	A	2012-10-26	初版				
7	STEEL BALL	STEEL	1	NATURAL	OVER	ISSUE	DATE	DESCRIPTIONS OF REVISION				
6	SPRING	STEEL WIRE	1	NATURAL	TITLE : VERTICAL SLIDE SWITCH				UNIT : mm	APPD.		
5	CONTACT CLIP	PBS STRIP	2	Ag PLATED	MODEL:				SCALE: 3:1			
4	TERMINAL	BRASS STRIP	8	Ag PLATED	东莞市溪榜电子有限公司				DWN.	2012-10-26		
3	BASE	PHENOLIC RESIN	1	NATURAL					CHK'D			
2	FRAME	STEEL STRIP	1	Ni PLATED					APPD.			2012-10-26
1	KNOB	POM	1	BLACK								