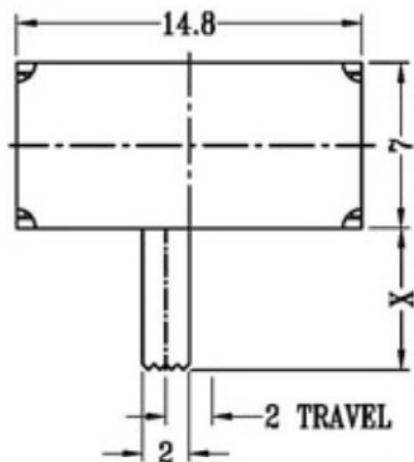
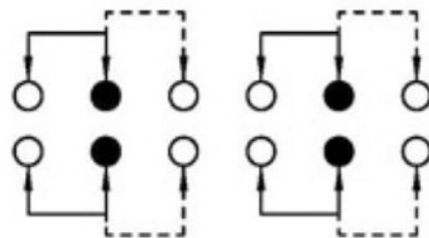
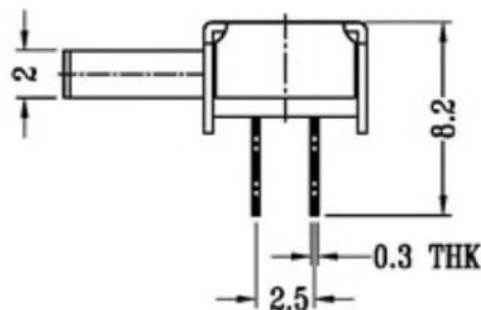
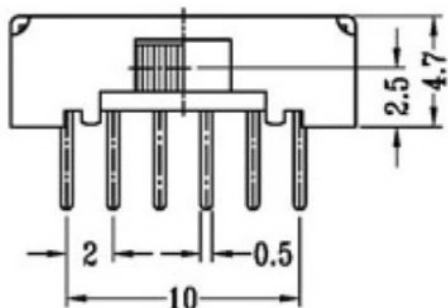




CAD FILE:

X=2-10  
单位:mm

SCHEMATIC (NON-SHORTING)



注: "\*"表示关键尺寸(6个)

NO.	PARTS	MATERIALS	QTY	FINISH	TOLERANCE UNLESS SPECIFIED		DESCRIPTIONS OF REVISION		APPD	
8										
7	STEEL BALL	STEEL	1	NATURAL	WITHIN OVER	A	2012-12-25	初板		
6	SPRING	STEEL WIRE	1	NATURAL		ISSUE	DATE			
5	CONTACT CLIP	PBS STRIP	2	Ag PLATED	TITLE: HORIZONTAL SLIDE SWITCH		UNIT : mm	DRWG NO.:		
4	TERMINAL	BRASS STRIP	10	Ag PLATED	MODEL:		SCALE: 2:1	DWN	2012-12-25	
3	BASE	PHENOLIC RESIN	1	BLACK	东莞市溪榜电子有限公司		CHK'D		2012-12-25	
2	FRAME	STEEL STRIP	1	Ni PLATED						APPD
1	KNOB	POM	1	BLACK					2012-12-25	