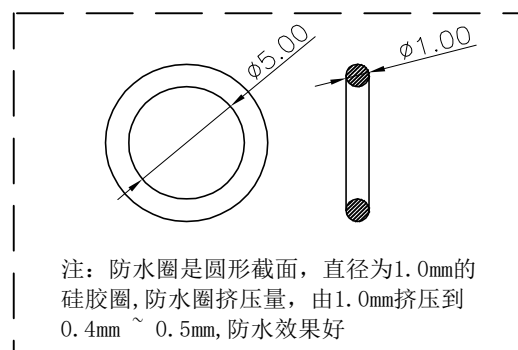
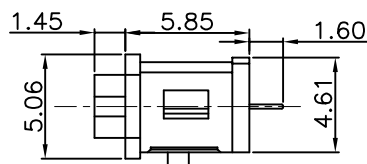
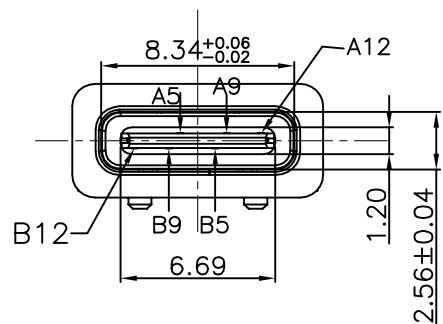


RECOMMENDED PCB LAYOUT(TOP VIEW)

THICKNESS T=1.0mm
DEFAULT TOLERANCE+/-0.05

NOTES:
SPECIFICATION:

1. CURRENT RATING: 3.0A MAX
2. DIELECTRIC WITHSTAND VOLTAGE: 100VAC
3. TEMPERATURE RANGE: -30 °C ~ 85 °C
4. CONTACT RESISTANCE: 40 MILLIONHM MAX
5. INSULATION RESISTANCE: 100 MEGOHMS MIN.
6. INSERTION FORCE : 5N~20N
7. UNMATING FORCE: 8N~20N
8. DURABILITY:5000 CYCLES



| | | | |
|-----|-------------|-----|-------------|
| A5 | CC1 | B12 | GND |
| A9 | VBUS | B9 | VBUS |
| A12 | GND | B5 | GND |
| PIN | SIGNAL NAME | PIN | SIGNAL NAME |

| | | | | |
|------|-----------|-------|---|---|
| 4 | Shell1 | 1 | SUS301 Ni Plating T=0.25mm | Ni:40~120u"; |
| 3 | Housing2 | 1 | LCP(G.F30%) | |
| 2 | Contact | 5 | Phosphor bronze C5210R-EH Au/Ni Plating T=0.20mm | Ni:40~160u"; Au:CONTACT AREA:3u' OTHER AREA:G/F |
| 1 | Housing | 1 | PA9T (G.F30%) | |
| ITEM | PART NAME | Q' TY | FINISH | NOTE |

东莞市溪榜电子有限公司
DONG GUAN XIBANG ELECTRONICS CO., LTD.

| | | | | |
|--|---------------|------------|------------|-------------------------|
| TOLERANCE: X.XX ±0.30 X.XXX ±0.20 X.XXX ±0.10 X.X ±0.10 X.X ±0.05 | DRAWN BY : | DATE : | PART NAME: | |
| | | | 2015.08.18 | TYPE-C6P防水母座180度插板L7.30 |
| UNIT: mm [inch] SCALE:1:1 SIZE: A4 | CHECKED BY : | DATE : | PART NO. | SEE TABLE |
| | | 2015.08.18 | MOLD NO. | |
| | APPROVED BY : | DATE : | DRAW NO. | |
| | | 2015.08.18 | SHEET NO. | 1 OF 1 |